

# Bellows suction cup HT2 (round)

<https://www.schmalz.com/10.01.06.02425>



## SAB 30 HT2-65 G3/8-IG

Part no.: 10.01.06.02425

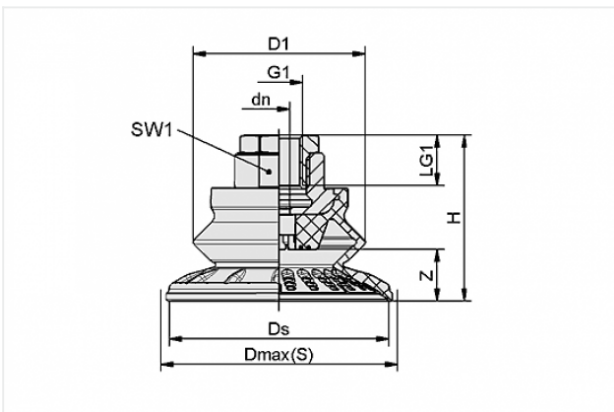
Homepage > Vacuum Technology for Automation > Vacuum Components > Vacuum Suction Cups > Bellows Suction Cups (Round) > Bellows Suction Cups SAB HT2 (1.5 Folds) > SAB 30 HT2-65 G3/8-IG

### Bellows suction cup (round) for handling hot workpieces



Size: 30  
Suction cup material:  
High temp material HT2  
Material hardness: 65 °Sh  
Temperature resistance: 250 °C  
Vacuum connection: G3/8-F  
Number of folds: 1.5  
Nipple material: Brass, nickel-plated

### Design Data



Attribute	Value
dn	4 mm
D1	32 mm
Dmax(S)	34 mm
Ds	30.6 mm
G1	G3/8"-F
H	44 mm
LG1	9.5 mm
SW1	22 mm
Z	9 mm

### Contact to Schmalz

J. Schmalz GmbH | Johannes-Schmalz-Straße, 72293 Glatten, Deutschland | +49 7443 2403-102 | [customercenter@schmalz.de](mailto:customercenter@schmalz.de)

## Technical Data

Attribute	Value
Suction force	22 N
Pull-off force	33 N
Lateral force	29 N
Volume	5.6 cm <sup>3</sup>
Curve radius (min) (convex)	40 mm
Internal hose diameter (recom.)	4 mm
Size	30
Connection	G3/8"-F
Suction cup material	High temp material HT2
Material hardness	65 °Sh
Weight	48.5 g
Number of folds	1.5
Product family	SAB