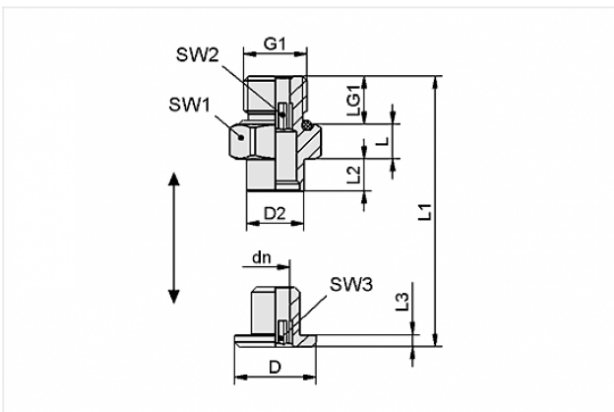


Connection element for suction cup SchmalzConnector



Connection geometry: 065
 Vacuum connection: G1/4-M
 Overall length: 36.1 mm
 Fitting length: 8 mm
 Construction: Self Locking
 Nominal diameter dn: 6.1 mm

Design Data



Attribute	Value
dn	6.1 mm
D	29 mm
D2	15 mm
G1	G1/4"-M
L	8 mm
L1	36.1 mm
L2	15.1 mm
L3	3 mm
LG1	10 mm
SW1	22 mm
SW2	6 mm
SW3	6 mm



Technical Data

Attribute	Value
Connection geometry	065

[Contact to Schmalz](#)

J. Schmalz GmbH | Johannes-Schmalz-Straße, 72293 Glatten, Deutschland | +49 7443 2403-102 | customercenter@schmalz.de