

Bellows suction cup HT2 (round)

<https://www.schmalz.com/10.01.06.02423>



SAB 30 HT2-65 G1/4-IG

Part no.: 10.01.06.02423

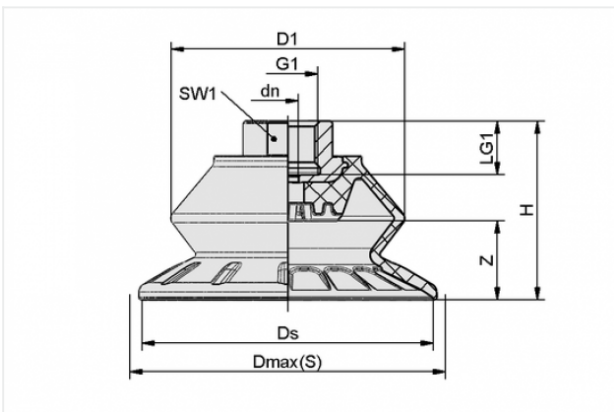
Homepage > Vacuum Technology for Automation > Vacuum Components > Vacuum Suction Cups > Bellows Suction Cups (Round) > Bellows Suction Cups SAB HT2 (1.5 Folds) > SAB 30 HT2-65 G1/4-IG

Bellows suction cup (round) for handling hot workpieces



Size: 30
Suction cup material:
High temp material HT2
Material hardness: 65 °Sh
Temperature resistance: 250 °C
Vacuum connection: G1/4-F
Number of folds: 1.5
Nipple material: Aluminium

Design Data



Attribute	Value
-----------	-------

dn	4 mm
D1	32 mm
Dmax(S)	34 mm
Ds	30.6 mm
G1	G1/4"-F
H	28 mm
LG1	12 mm
SW1	17 mm
Z	9 mm

Contact to Schmalz

J. Schmalz GmbH | Johannes-Schmalz-Straße, 72293 Glatten, Deutschland | +49 7443 2403-102 | customercenter@schmalz.de

Technical Data

Attribute	Value
Suction force	22 N
Pull-off force	33 N
Lateral force	29 N
Volume	5.6 cm ³
Curve radius (min) (convex)	40 mm
Internal hose diameter (recom.)	4 mm
Size	30
Connection	G1/4"-F
Suction cup material	High temp material HT2
Material hardness	65 °Sh
Weight	16.1 g
Number of folds	1.5
Product family	SAB