

# Bellows suction cup HT2 (round)

<https://www.schmalz.com/10.01.06.02424>



## SAB 30 HT2-65 G1/4-AG

Part no.: 10.01.06.02424

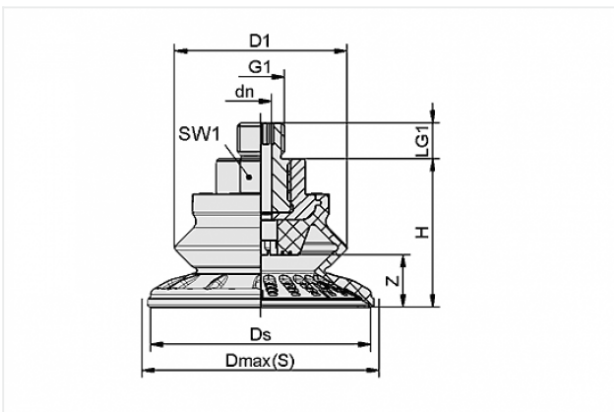
Homepage > Vacuum Technology for Automation > Vacuum Components > Vacuum Suction Cups > Bellows Suction Cups (Round) > Bellows Suction Cups SAB HT2 (1.5 Folds) > SAB 30 HT2-65 G1/4-AG

### Bellows suction cup (round) for handling hot workpieces



Size: 30  
Suction cup material:  
High temp material HT2  
Material hardness: 65 °Sh  
Temperature resistance: 250 °C  
Vacuum connection: G1/4-M  
Number of folds: 1.5  
Nipple material: Aluminium

### Design Data



| Attribute | Value |
|-----------|-------|
|-----------|-------|

|         |         |
|---------|---------|
| dn      | 4 mm    |
| D1      | 32 mm   |
| Dmax(S) | 34 mm   |
| Ds      | 30.6 mm |
| G1      | G1/4"-M |
| H       | 28 mm   |
| LG1     | 10 mm   |
| SW1     | 17 mm   |
| Z       | 9 mm    |

### Contact to Schmalz

J. Schmalz GmbH | Johannes-Schmalz-Straße, 72293 Glatten, Deutschland | +49 7443 2403-102 | [customercenter@schmalz.de](mailto:customercenter@schmalz.de)

## Technical Data

| Attribute                       | Value                  |
|---------------------------------|------------------------|
| Suction force                   | 22 N                   |
| Pull-off force                  | 33 N                   |
| Lateral force                   | 29 N                   |
| Volume                          | 5.6 cm <sup>3</sup>    |
| Curve radius (min) (convex)     | 40 mm                  |
| Internal hose diameter (recom.) | 4 mm                   |
| Size                            | 30                     |
| Connection                      | G1/4"-M                |
| Suction cup material            | High temp material HT2 |
| Material hardness               | 65 °Sh                 |
| Weight                          | 21.4 g                 |
| Number of folds                 | 1.5                    |
| Product family                  | SAB                    |

### Contact to Schmalz