

# Bellows suction cup (round)

<https://www.schmalz.com/10.01.06.03504>



## SPB1 80 ED-65 G1/4-AG

Part no.: 10.01.06.03504

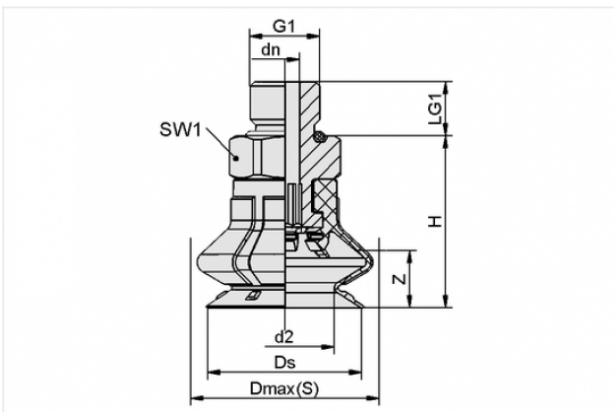
Homepage > Vacuum Technology for Automation > Vacuum Components > Vacuum Suction Cups > Suction Cups for Packaging > Bellows Suction Cups SPB1 (1.5 Folds) > SPB1 80 ED-65 G1/4-AG

### Bellows suction cup (round) for very uneven workpieces



Size: 80  
Suction cup material: Elastodur  
Material hardness: 65 °Sh  
Thread G1: G1/4-M  
Number of folds: 1.5

### Design Data



Attribute	Value
d2	56 mm
dn	6.1 mm
Dmax(S)	88 mm
Ds	81.4 mm
G1	G1/4"-M
H	53.9 mm
LG1	10 mm
SW1	22 mm
Z	23.5 mm

### Contact to Schmalz

J. Schmalz GmbH | Johannes-Schmalz-Straße, 72293 Glatten, Deutschland | +49 7443 2403-102 | [customercenter@schmalz.de](mailto:customercenter@schmalz.de)

## Technical Data

Attribute	Value
Suction force	166 N
Pull-off force	200 N
Lateral force	59 N
Volume	98.358 cm <sup>3</sup>
Curve radius (min) (convex)	100 mm
Internal hose diameter (recom.)	6 mm
Size	80
Number of folds	1.5
Suction cup material	Elastodur
Material hardness	65 °Sh
Weight	74.4 g
Product family	SPB1

## Spare Parts



### SC 065 G1/4-AG L

Part no. 10.01.06.03193

Connection element for suction cup SchmalzConnector

Connection geometry: 065

Vacuum connection: G1/4-M

Overall length: 36.1 mm

Fitting length: 8 mm

Construction: Self Locking

Nominal diameter dn: 6.1 mm

## Contact to Schmalz



**SPB1 80 ED-65 SC065**

Part no. 10.01.06.03071

Bellows suction cup (round) with 1.5 corr. for dynamic handling of cardboard and rigid packaging

Size: 80

Suction cup material: Elastodur

Material hardness: 65 °Sh

Number of folds: 1.5

**Accessories**



**SIEB 32.5x0.8 MS-A2 280 0.28/0.16**

Part no. 10.07.01.00364

Screen

External diameter D: 32.5 mm

Length L: 0.8 mm

Material: Brass / Stainless steel

Filter pore size: 280 µm

Mesh: 0.28 mm

Wire size: 0.16 mm