

Bellows suction cup (round)

<https://www.schmalz.com/10.01.06.03503>



SPB1 60 ED-65 G1/4-IG

Part no.: 10.01.06.03503

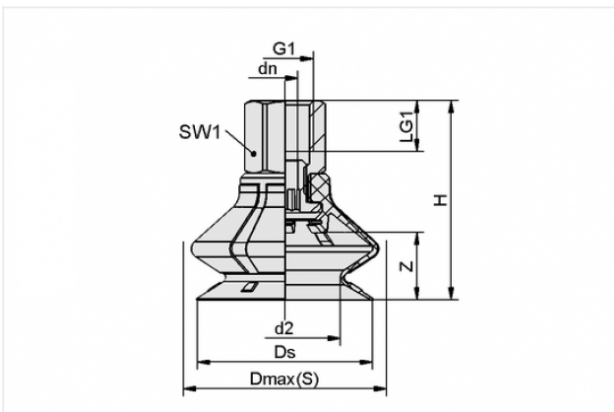
Homepage > Vacuum Technology for Automation > Vacuum Components > Vacuum Suction Cups > Suction Cups for Packaging > Bellows Suction Cups SPB1 (1.5 Folds) > SPB1 60 ED-65 G1/4-IG

Bellows suction cup (round) for very uneven workpieces



Size: 60
Suction cup material: Elastodur
Material hardness: 65 °Sh
Thread G1: G1/4-F
Number of folds: 1.5

Design Data



Attribute	Value
-----------	-------

d2	38.6 mm
----	---------

dn	6.1 mm
----	--------

Dmax(S)	69.6 mm
---------	---------

Ds	61.4 mm
----	---------

G1	G1/4"-F
----	---------

H	53.2 mm
---	---------

LG1	12 mm
-----	-------

SW1	17 mm
-----	-------

Z	22 mm
---	-------

Contact to Schmalz

J. Schmalz GmbH | Johannes-Schmalz-Straße, 72293 Glatten, Deutschland | +49 7443 2403-102 | customercenter@schmalz.de

Technical Data

Attribute	Value
Suction force	78 N
Pull-off force	100.9 N
Lateral force	49.4 N
Volume	49.24 cm ³
Curve radius (min) (convex)	200 mm
Internal hose diameter (recom.)	6 mm
Size	60
Number of folds	1.5
Suction cup material	Elastodur
Material hardness	65 °Sh
Weight	33.9 g
Product family	SPB1

Spare Parts



SC 050 G1/4-IG

Part no. 10.01.06.02488

Connection element for suction cup SchmalzConnector

Connection geometry: 050

Vacuum connection: G1/4-F

Overall length: 26.5 mm

Fitting length: 17.2 mm

Nominal diameter dn: 6.1 mm

Contact to Schmalz



SPB1 60 ED-65 SC050

Part no. 10.01.06.02457

Bellows suction cup (round) with 1.5 corr. for dynamic handling of cardboard and rigid packaging

Size: 60

Suction cup material: Elastodur

Material hardness: 65 °Sh

Number of folds: 1.5

Accessories



SIEB 17.5x0.8 MS-A2 280 0.28/0.16

Part no. 10.07.01.00308

Screen

External diameter D: 17.5 mm

Length L: 0.8 mm

Material: Brass / Stainless steel

Filter pore size: 280 µm

Mesh: 0.28 mm

Wire size: 0.16 mm