

Bellows suction cup (round)

<https://www.schmalz.com/10.01.06.02457>



SPB1 60 ED-65 SC050

Part no.: 10.01.06.02457

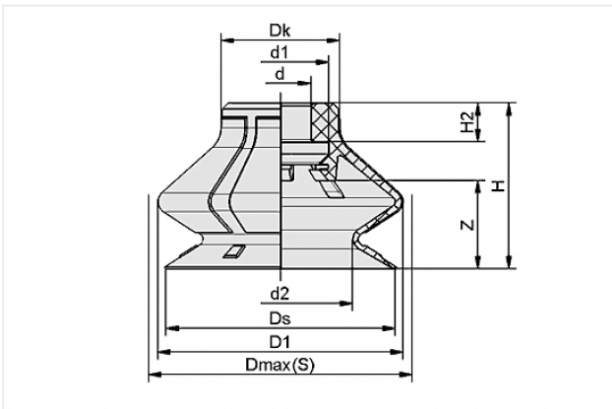
Homepage > Vacuum Technology for Automation > Vacuum Components > Vacuum Suction Cups > Suction Cups for Packaging > SPB1 60 ED-65 SC050

Bellows suction cup (round) with 1.5 corr. for dynamic handling of cardboard and rigid packaging



Size: 60
Suction cup material: Elastodur
Material hardness: 65 °Sh
Number of folds: 1.5

Design Data



Attribute	Value
-----------	-------

d	11 mm
---	-------

d1	17.5 mm
----	---------

d2	38.6 mm
----	---------

D1	65.7 mm
----	---------

Dk	21.6 mm
----	---------

Dmax(S)	69.6 mm
---------	---------

Ds	61.4 mm
----	---------

H	36 mm
---	-------

H2	7 mm
----	------

Z	22 mm
---	-------

Contact to Schmalz

J. Schmalz GmbH | Johannes-Schmalz-Straße, 72293 Glatten, Deutschland | +49 7443 2403-102 | customercenter@schmalz.de

Technical Data

Attribute	Value
Suction force	78 N
Pull-off force	100.9 N
Lateral force	49.4 N
Volume	49.24 cm ³
Curve radius (min) (convex)	70 mm
Internal hose diameter (recom.)	6 mm
Size	60
Nipple	SC 050
Number of folds	1.5
Suction cup material	Elastodur
Material hardness	65 °Sh
Weight	19.6 g
Product family	SPB1

Accessories



SC 050 G1/4-AG

Part no. 10.01.06.02487

Connection element for suction cup SchmalzConnector

Connection geometry: 050

Vacuum connection: G1/4-M

Overall length: 26.5 mm

Fitting length: 7.2 mm

Nominal diameter dn: 6.1 mm

Contact to Schmalz

**SC 050 G1/4-IG**

Part no. 10.01.06.02488

Connection element for suction cup SchmalzConnector

Connection geometry: 050

Vacuum connection: G1/4-F

Overall length: 26.5 mm

Fitting length: 17.2 mm

Nominal diameter dn: 6.1 mm

**SIEB 17.5x0.8 MS-A2 280 0.28/0.16**

Part no. 10.07.01.00308

Screen

External diameter D: 17.5 mm

Length L: 0.8 mm

Material: Brass / Stainless steel

Filter pore size: 280 µm

Mesh: 0.28 mm

Wire size: 0.16 mm