

Bellows suction cup HT2 (round)

<https://www.schmalz.com/10.01.06.02420>



SAB 22 HT2-65 G1/4-AG

Part no.: 10.01.06.02420

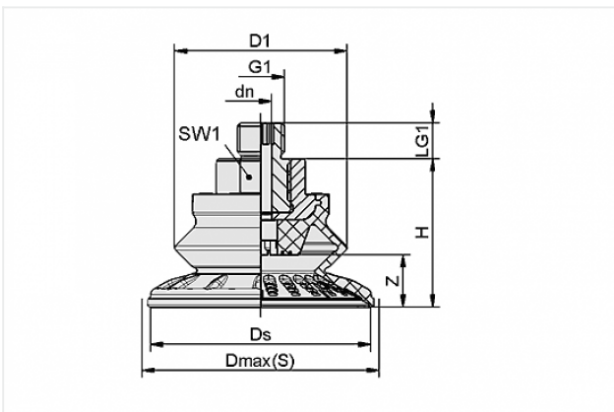
Homepage > Vacuum Technology for Automation > Vacuum Components > Vacuum Suction Cups > Bellows Suction Cups (Round) > Bellows Suction Cups SAB HT2 (1.5 Folds) > SAB 22 HT2-65 G1/4-AG

Bellows suction cup (round) for handling hot workpieces



Size: 22
Suction cup material:
High temp material HT2
Material hardness: 65 °Sh
Temperature resistance: 250 °C
Vacuum connection: G1/4-M
Number of folds: 1.5
Nipple material: Aluminium

Design Data



Attribute	Value
-----------	-------

dn	3.5 mm
----	--------

D1	22 mm
----	-------

Dmax(S)	24 mm
---------	-------

Ds	20.6 mm
----	---------

G1	G1/4"-M
----	---------

H	25 mm
---	-------

LG1	10 mm
-----	-------

SW1	16 mm
-----	-------

Z	5.8 mm
---	--------

Contact to Schmalz

J. Schmalz GmbH | Johannes-Schmalz-Straße, 72293 Glatten, Deutschland | +49 7443 2403-102 | customercenter@schmalz.de

Technical Data

Attribute	Value
Suction force	16 N
Pull-off force	24 N
Lateral force	17 N
Volume	1.5 cm ³
Curve radius (min) (convex)	20 mm
Internal hose diameter (recom.)	4 mm
Size	22
Connection	G1/4"-M
Suction cup material	High temp material HT2
Material hardness	65 °Sh
Weight	15.7 g
Number of folds	1.5
Product family	SAB