

Bellows suction cup (round)

<https://www.schmalz.com/10.01.06.03502>



SPB1 60 ED-65 G1/4-AG

Part no.: 10.01.06.03502

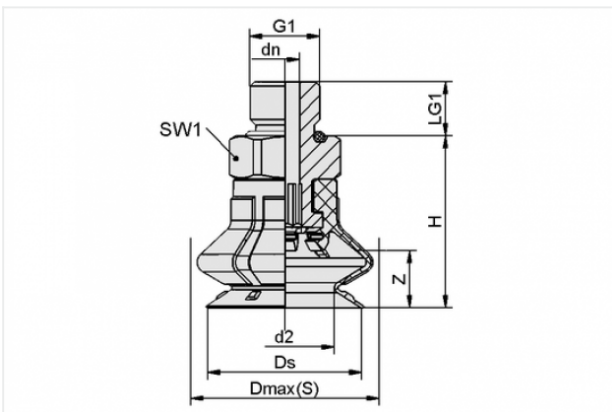
Homepage > Vacuum Technology for Automation > Vacuum Components > Vacuum Suction Cups > Suction Cups for Packaging > Bellows Suction Cups SPB1 (1.5 Folds) > SPB1 60 ED-65 G1/4-AG

Bellows suction cup (round) for very uneven workpieces



Size: 60
Suction cup material: Elastodur
Material hardness: 65 °Sh
Thread G1: G1/4-M
Number of folds: 1.5

Design Data



| Attribute | Value |
|-----------|-------|
|-----------|-------|

| | |
|----|---------|
| d2 | 38.6 mm |
|----|---------|

| | |
|----|--------|
| dn | 6.1 mm |
|----|--------|

| | |
|---------|---------|
| Dmax(S) | 69.6 mm |
|---------|---------|

| | |
|----|---------|
| Ds | 61.4 mm |
|----|---------|

| | |
|----|---------|
| G1 | G1/4"-M |
|----|---------|

| | |
|---|---------|
| H | 43.2 mm |
|---|---------|

| | |
|-----|-------|
| LG1 | 10 mm |
|-----|-------|

| | |
|-----|-------|
| SW1 | 17 mm |
|-----|-------|

| | |
|---|-------|
| Z | 22 mm |
|---|-------|

Contact to Schmalz

J. Schmalz GmbH | Johannes-Schmalz-Straße, 72293 Glatten, Deutschland | +49 7443 2403-102 | customercenter@schmalz.de

Technical Data

| Attribute | Value |
|---------------------------------|-----------------------|
| Suction force | 78 N |
| Pull-off force | 100.9 N |
| Lateral force | 49.4 N |
| Volume | 49.24 cm ³ |
| Curve radius (min) (convex) | 200 mm |
| Internal hose diameter (recom.) | 6 mm |
| Size | 60 |
| Number of folds | 1.5 |
| Suction cup material | Elastodur |
| Material hardness | 65 °Sh |
| Weight | 33.2 g |
| Product family | SPB1 |

Spare Parts



SC 050 G1/4-AG

Part no. 10.01.06.02487

Connection element for suction cup SchmalzConnector

Connection geometry: 050

Vacuum connection: G1/4-M

Overall length: 26.5 mm

Fitting length: 7.2 mm

Nominal diameter dn: 6.1 mm

Contact to Schmalz



SPB1 60 ED-65 SC050

Part no. 10.01.06.02457

Bellows suction cup (round) with 1.5 corr. for dynamic handling of cardboard and rigid packaging

Size: 60

Suction cup material: Elastodur

Material hardness: 65 °Sh

Number of folds: 1.5

Accessories



SIEB 17.5x0.8 MS-A2 280 0.28/0.16

Part no. 10.07.01.00308

Screen

External diameter D: 17.5 mm

Length L: 0.8 mm

Material: Brass / Stainless steel

Filter pore size: 280 µm

Mesh: 0.28 mm

Wire size: 0.16 mm