

Bellows suction cup (round)

<https://www.schmalz.com/10.01.06.02456>



SPB1 50 ED-65 SC050

Part no.: 10.01.06.02456

Homepage > Vacuum Technology for Automation > Vacuum Components > Vacuum Suction Cups > Suction Cups for Packaging > SPB1 50 ED-65 SC050

Bellows suction cup (round) with 1.5 corr. for dynamic handling of cardboard and rigid packaging



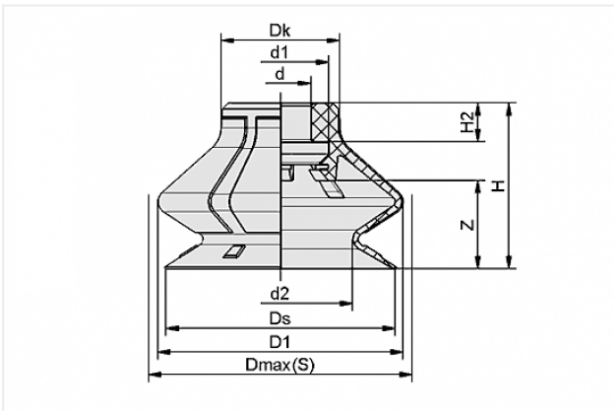
Size: 50

Suction cup material: Elastodur

Material hardness: 65 °Sh

Number of folds: 1.5

Design Data



Attribute	Value
-----------	-------

d	11 mm
---	-------

d1	17.5 mm
----	---------

d2	32.3 mm
----	---------

D1	55.2 mm
----	---------

Dk	21.6 mm
----	---------

Dmax(S)	58.4 mm
---------	---------

Ds	51.4 mm
----	---------

H	32 mm
---	-------

H2	7 mm
----	------

Z	18 mm
---	-------

Contact to Schmalz

J. Schmalz GmbH | Johannes-Schmalz-Straße, 72293 Glatten, Deutschland | +49 7443 2403-102 | customercenter@schmalz.de

Technical Data

Attribute	Value
Suction force	54.7 N
Pull-off force	72.7 N
Lateral force	31.2 N
Volume	30.181 cm ³
Curve radius (min) (convex)	40 mm
Internal hose diameter (recom.)	6 mm
Size	50
Nipple	SC 050
Number of folds	1.5
Suction cup material	Elastodur
Material hardness	65 °Sh
Weight	13.1 g
Product family	SPB1

Accessories



SC 050 G1/4-AG

Part no. 10.01.06.02487

Connection element for suction cup SchmalzConnector

Connection geometry: 050

Vacuum connection: G1/4-M

Overall length: 26.5 mm

Fitting length: 7.2 mm

Nominal diameter dn: 6.1 mm

Contact to Schmalz

**SC 050 G1/4-IG**

Part no. 10.01.06.02488

Connection element for suction cup SchmalzConnector

Connection geometry: 050

Vacuum connection: G1/4-F

Overall length: 26.5 mm

Fitting length: 17.2 mm

Nominal diameter dn: 6.1 mm

**SIEB 17.5x0.8 MS-A2 280 0.28/0.16**

Part no. 10.07.01.00308

Screen

External diameter D: 17.5 mm

Length L: 0.8 mm

Material: Brass / Stainless steel

Filter pore size: 280 µm

Mesh: 0.28 mm

Wire size: 0.16 mm

**SPI 40 PA**

Part no. 10.01.06.03388

Insert disc for preventing film from being drawn in

Size: 40

Material: Polyamide

Application: SPB1 50