

Schmalz Pad Insert

SPI 40 PA

Part no.: 10.01.06.03388

<https://www.schmalz.com/10.01.06.03388>



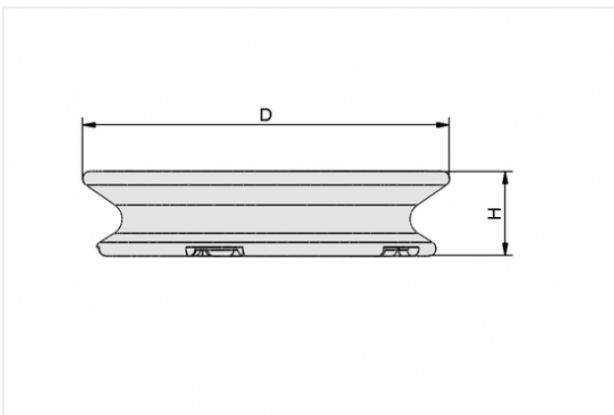
Homepage > Vacuum Technology for Automation > Vacuum Components > Vacuum Suction Cups > Accessories Vacuum Suction Cups > Suction Cup Inserts SPI (for SPB1) > SPI 40 PA

Insert disc for preventing film from being drawn in



Size: 40
Material: Polyamide
Application: SPB1 50

Design Data



Attribute	Value
D	40 mm
H	8.5 mm

Technical Data

Attribute	Value
Application	SPB1 50
Material	Polyamide

Contact to Schmalz

J. Schmalz GmbH | Johannes-Schmalz-Straße, 72293 Glatten, Deutschland | +49 7443 2403-102 | customercenter@schmalz.de



Attribute	Value
Weight	5.3 g
