

Bellows suction cup (round)

<https://www.schmalz.com/10.01.06.02455>



SPB1 40 ED-65 SC050

Part no.: 10.01.06.02455

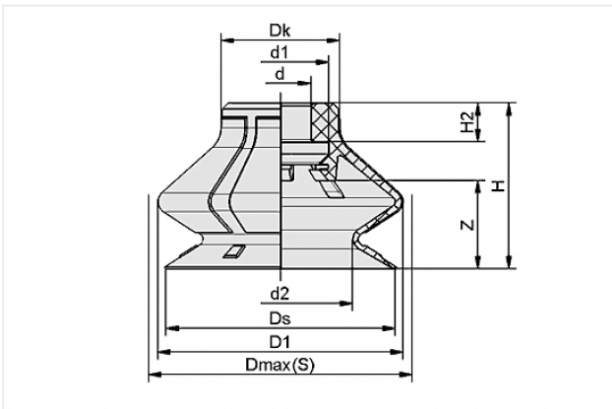
Homepage > Vacuum Technology for Automation > Vacuum Components > Vacuum Suction Cups > Suction Cups for Packaging > SPB1 40 ED-65 SC050

Bellows suction cup (round) with 1.5 corr. for dynamic handling of cardboard and rigid packaging



Size: 40
Suction cup material: Elastodur
Material hardness: 65 °Sh
Number of folds: 1.5

Design Data



| Attribute | Value |
|-----------|-------|
|-----------|-------|

| | |
|---|-------|
| d | 11 mm |
|---|-------|

| | |
|----|---------|
| d1 | 17.5 mm |
|----|---------|

| | |
|----|---------|
| d2 | 26.1 mm |
|----|---------|

| | |
|----|---------|
| D1 | 44.6 mm |
|----|---------|

| | |
|----|---------|
| Dk | 21.6 mm |
|----|---------|

| | |
|---------|-------|
| Dmax(S) | 48 mm |
|---------|-------|

| | |
|----|---------|
| Ds | 41.4 mm |
|----|---------|

| | |
|---|-------|
| H | 30 mm |
|---|-------|

| | |
|----|------|
| H2 | 7 mm |
|----|------|

| | |
|---|-------|
| Z | 16 mm |
|---|-------|

Contact to Schmalz

J. Schmalz GmbH | Johannes-Schmalz-Straße, 72293 Glatten, Deutschland | +49 7443 2403-102 | customercenter@schmalz.de

Technical Data

| Attribute | Value |
|---------------------------------|-----------------------|
| Suction force | 35.9 N |
| Pull-off force | 46.8 N |
| Lateral force | 24.8 N |
| Volume | 18.33 cm ³ |
| Curve radius (min) (convex) | 40 mm |
| Internal hose diameter (recom.) | 6 mm |
| Size | 40 |
| Nipple | SC 050 |
| Number of folds | 1.5 |
| Suction cup material | Elastodur |
| Material hardness | 65 °Sh |
| Weight | 8.2 g |
| Product family | SPB1 |

Accessories



SC 050 G1/4-AG

Part no. 10.01.06.02487

Connection element for suction cup SchmalzConnector

Connection geometry: 050

Vacuum connection: G1/4-M

Overall length: 26.5 mm

Fitting length: 7.2 mm

Nominal diameter dn: 6.1 mm

Contact to Schmalz

**SC 050 G1/4-IG**

Part no. 10.01.06.02488

Connection element for suction cup SchmalzConnector

Connection geometry: 050

Vacuum connection: G1/4-F

Overall length: 26.5 mm

Fitting length: 17.2 mm

Nominal diameter dn: 6.1 mm

**SIEB 17.5x0.8 MS-A2 280 0.28/0.16**

Part no. 10.07.01.00308

Screen

External diameter D: 17.5 mm

Length L: 0.8 mm

Material: Brass / Stainless steel

Filter pore size: 280 µm

Mesh: 0.28 mm

Wire size: 0.16 mm

**SPI 33 PA**

Part no. 10.01.06.03387

Insert disc for preventing film from being drawn in

Size: 33

Material: Polyamide

Application: SPB1 40