

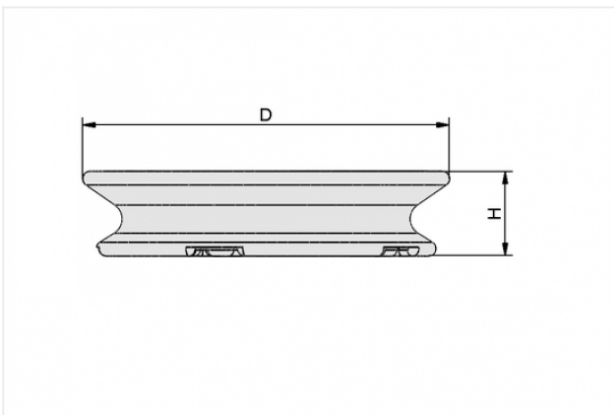
Homepage > Vacuum Technology for Automation > Vacuum Components > Vacuum Suction Cups > Accessories Vacuum Suction Cups > Suction Cup Inserts SPI (for SPB1) > SPI 33 PA

Insert disc for preventing film from being drawn in



Size: 33
Material: Polyamide
Application: SPB1 40

Design Data



Attribute	Value
-----------	-------

D	33 mm
---	-------

H	8 mm
---	------

Technical Data

Attribute	Value
-----------	-------

Application	SPB1 40
-------------	---------

Material	Polyamide
----------	-----------

Contact to Schmalz



Attribute	Value
Weight	3.9 g
