

Schmalz Pad Insert

SPI 26 PA

Part no.: 10.01.06.03386

<https://www.schmalz.com/10.01.06.03386>



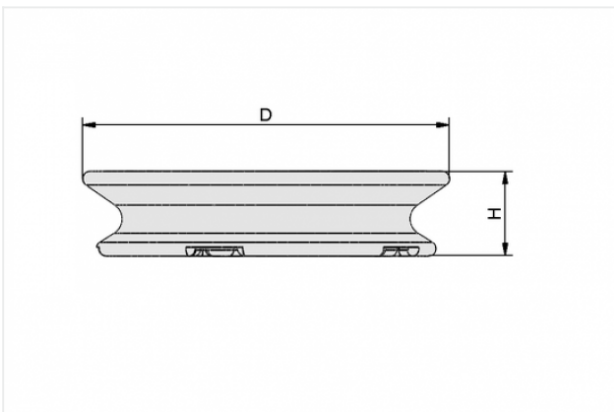
Homepage > Vacuum Technology for Automation > Vacuum Components > Vacuum Suction Cups > Accessories Vacuum Suction Cups > Suction Cup Inserts SPI (for SPB1) > SPI 26 PA

Insert disc for preventing film from being drawn in



Size: 26
Material: Polyamide
Application: SPB1 30

Design Data



Attribute	Value
D	25.5 mm
H	5.9 mm

Technical Data

Attribute	Value
Application	SPB1 30
Material	Polyamide

Contact to Schmalz

J. Schmalz GmbH | Johannes-Schmalz-Straße, 72293 Glatten, Deutschland | +49 7443 2403-102 | customercenter@schmalz.de

Attribute	Value
Weight	1.9 g
