

Bellows suction cup (round)

SPB1 30 ED-65 G1/8-AG

Part no.:10.01.06.03496

<https://www.schmalz.com/10.01.06.03496>

Homepage > Vacuum Technology for Automation > Vacuum Components > Area Gripping Systems and End Effectors > Vacuum End Effectors

VEE > Suction Cups for Vacuum End Effectors > SPB1 30 ED-65 G1/8-AG

Bellows suction cup (round) for very uneven workpieces



Size: 30

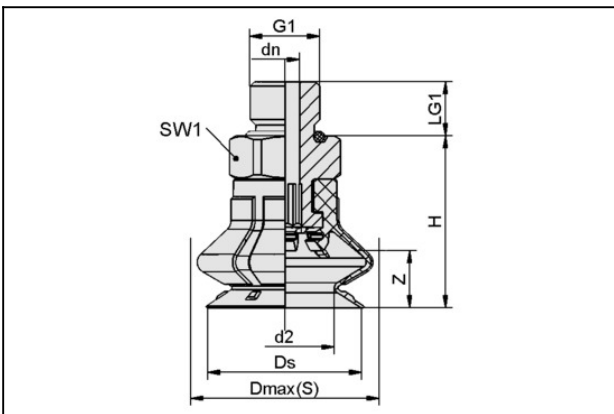
Suction cup material: Elastodur

Material hardness: 65 °Sh

Thread G1: G1/8"-M

Number of folds: 1.5

Design Data



Attribute	Value
d2	20 mm
dn	4.1 mm
Dmax(S)	36.7 mm
Ds	31.4 mm
G1	G1/8"-M
H	29 mm
LG1	7.5 mm
SW1	14 mm
Z (Stroke)	13 mm

Technical Data

Contact to Schmalz

J. Schmalz GmbH | Johannes-Schmalz-Straße, 72293 Glatten, Deutschland | +49 7443 2403-102 | customercenter@schmalz.de

Bellows suction cup (round)

SPB1 30 ED-65 G1/8-AG

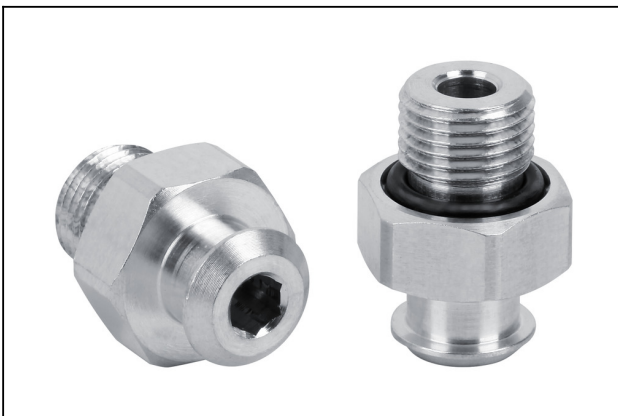
Part no.:10.01.06.03496

<https://www.schmalz.com/10.01.06.03496>



Attribute	Value
Suction force	20.7 N
Pull-off force	30.6 N
Lateral force	15.5 N
Volume	7.993 cm ³
Curve radius (min) (convex)	35 mm
Hose diameter (empf.) d	6 mm
Size	30
Number of folds	1.5
Suction cup material	Elastodur
Material hardness [Shore A]	65
Weight	7.9 g
Product family	SPB1

Spare Parts



SC 040 G1/8-AG

Part no.10.01.06.02490

Connection element for suction cup "SchmalzConnector"

Connection geometry: 040

Vacuum connection: G1/8"-M

Overall length: 20.2 mm

Fitting length: 6 mm

Nominal diameter dn: 4.1 mm

Bellows suction cup (round)

SPB1 30 ED-65 G1/8-AG

Part no.:10.01.06.03496

<https://www.schmalz.com/10.01.06.03496>



SPB1 30 ED-65 SC040

Part no.10.01.06.02454

Bellows suction cup (round) with 1.5 corr. for dynamic handling of cardboard and rigid packaging

Size: 30

Suction cup material: Elastodur

Material hardness: 65 °Sh

Number of folds: 1.5

Accessories



SIEB 11x1 MS-A2 280 0.28/0.16

Part no.10.07.01.00309

Screen

External diameter D: 11 mm

Length L: 1 mm

Material: Brass / Stainless steel

Filter pore size: 280 µm

Mesh: 0.28 mm

Wire size: 0.16 mm



SPI 26 PA SPB1-30

Part no.10.01.06.03386

Suction cup insert for preventing deformation of sensitive workpieces

Size: 26

Material: Polyamide

Application: SPB1-30