

# Bellows suction cup (round)

<https://www.schmalz.com/10.01.06.03496>



## SPB1 30 ED-65 G1/8-AG

Part no.: 10.01.06.03496

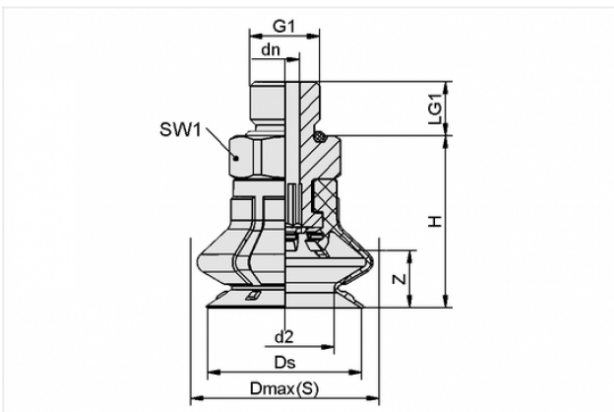
Homepage > Vacuum Technology for Automation > Vacuum Components > Vacuum Suction Cups > Suction Cups for Packaging > Bellows Suction Cups SPB1 (1.5 Folds) > SPB1 30 ED-65 G1/8-AG

### Bellows suction cup (round) for very uneven workpieces



Size: 30  
Suction cup material: Elastodur  
Material hardness: 65 °Sh  
Thread G1: G1/8-M  
Number of folds: 1.5

### Design Data



Attribute	Value
-----------	-------

d2	20 mm
----	-------

dn	4.1 mm
----	--------

Dmax(S)	36.7 mm
---------	---------

Ds	31.4 mm
----	---------

G1	G1/8"-M
----	---------

H	29 mm
---	-------

LG1	7.5 mm
-----	--------

SW1	14 mm
-----	-------

Z	13 mm
---	-------

### Contact to Schmalz

J. Schmalz GmbH | Johannes-Schmalz-Straße, 72293 Glatten, Deutschland | +49 7443 2403-102 | [customercenter@schmalz.de](mailto:customercenter@schmalz.de)

## Technical Data

Attribute	Value
Suction force	20.7 N
Pull-off force	30.6 N
Lateral force	15.5 N
Volume	7.993 cm <sup>3</sup>
Curve radius (min) (convex)	35 mm
Internal hose diameter (recom.)	6 mm
Size	30
Number of folds	1.5
Suction cup material	Elastodur
Material hardness	65 °Sh
Weight	7.9 g
Product family	SPB1

## Spare Parts



### SC 040 G1/8-AG

Part no. 10.01.06.02490

Connection element for suction cup SchmalzConnector

Connection geometry: 040

Vacuum connection: G1/8-M

Overall length: 20.2 mm

Fitting length: 6 mm

Nominal diameter dn: 4.1 mm

## Contact to Schmalz

**SPB1 30 ED-65 SC040**

Part no. 10.01.06.02454

Bellows suction cup (round) with 1.5 corr. for dynamic handling of cardboard and rigid packaging

Size: 30

Suction cup material: Elastodur

Material hardness: 65 °Sh

Number of folds: 1.5

**Accessories****SIEB 11x1 MS-A2 280 0.28/0.16**

Part no. 10.07.01.00309

Screen

External diameter D: 11 mm

Length L: 1 mm

Material: Brass / Stainless steel

Filter pore size: 280 µm

Mesh: 0.28 mm

Wire size: 0.16 mm

**SPI 26 PA**

Part no. 10.01.06.03386

Insert disc for preventing film from being drawn in

Size: 26

Material: Polyamide

Application: SPB1 30