

Bellows suction cup (round)

<https://www.schmalz.com/10.01.06.03495>



SPB1 25 ED-65 G1/8-IG

Part no.: 10.01.06.03495

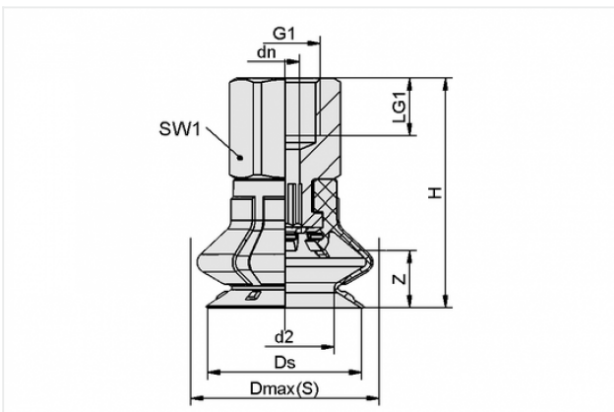
Homepage > Vacuum Technology for Automation > Vacuum Components > Vacuum Suction Cups > Suction Cups for Packaging > Bellows Suction Cups SPB1 (1.5 Folds) > SPB1 25 ED-65 G1/8-IG

Bellows suction cup (round) for very uneven workpieces



Size: 25
Suction cup material: Elastodur
Material hardness: 65 °Sh
Thread G1: G1/8-F
Number of folds: 1.5

Design Data



| Attribute | Value |
|-----------|---------|
| d2 | 16.9 mm |
| dn | 4.1 mm |
| Dmax(S) | 31.3 mm |
| Ds | 26.4 mm |
| G1 | G1/8"-F |
| H | 35 mm |
| LG1 | 8 mm |
| SW1 | 14 mm |
| Z | 11 mm |

Contact to Schmalz

J. Schmalz GmbH | Johannes-Schmalz-Straße, 72293 Glatten, Deutschland | +49 7443 2403-102 | customercenter@schmalz.de

Technical Data

| Attribute | Value |
|---------------------------------|-----------------------|
| Suction force | 14.9 N |
| Pull-off force | 23.4 N |
| Lateral force | 13 N |
| Volume | 5.254 cm ³ |
| Curve radius (min) (convex) | 20 mm |
| Internal hose diameter (recom.) | 4 mm |
| Size | 25 |
| Number of folds | 1.5 |
| Suction cup material | Elastodur |
| Material hardness | 65 °Sh |
| Weight | 8.1 g |
| Product family | SPB1 |

Spare Parts



SC 040 G1/8-IG

Part no. 10.01.06.02482

Connection element for suction cup SchmalzConnector

Connection geometry: 040

Vacuum connection: G1/8-F

Overall length: 20.7 mm

Fitting length: 14 mm

Nominal diameter dn: 4.1 mm

**SPB1 25 ED-65 SC040**

Part no. 10.01.06.02453

Bellows suction cup (round) with 1.5 corr. for dynamic handling of cardboard and rigid packaging

Size: 25

Suction cup material: Elastodur

Material hardness: 65 °Sh

Number of folds: 1.5

Accessories**SIEB 11x1 MS-A2 280 0.28/0.16**

Part no. 10.07.01.00309

Screen

External diameter D: 11 mm

Length L: 1 mm

Material: Brass / Stainless steel

Filter pore size: 280 µm

Mesh: 0.28 mm

Wire size: 0.16 mm

**SPI 22 PA**

Part no. 10.01.06.03315

Insert disc for preventing film from being drawn in

Size: 22

Material: Polyamide

Application: SPB1 25