

Bellows suction cup (round)

<https://www.schmalz.com/10.01.06.02453>



SPB1 25 ED-65 SC040

Part no.: 10.01.06.02453

Homepage > Vacuum Technology for Automation > Vacuum Components > Vacuum Suction Cups > Suction Cups for Packaging > SPB1 25 ED-65 SC040

Bellows suction cup (round) with 1.5 corr. for dynamic handling of cardboard and rigid packaging



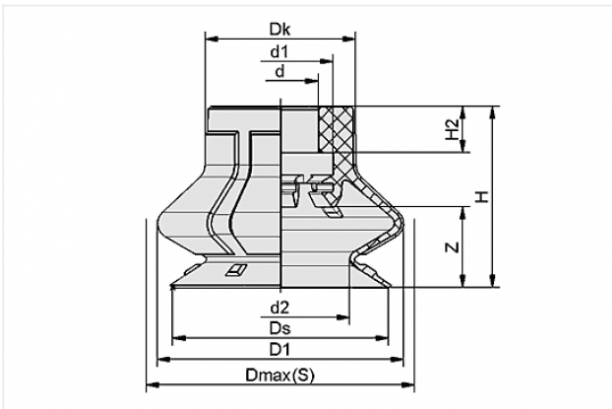
Size: 25

Suction cup material: Elastodur

Material hardness: 65 °Sh

Number of folds: 1.5

Design Data



Attribute	Value
-----------	-------

d	7.5 mm
---	--------

d1	10.5 mm
----	---------

d2	16.9 mm
----	---------

D1	29 mm
----	-------

Dk	15.1 mm
----	---------

Dmax(S)	31.3 mm
---------	---------

Ds	26.4 mm
----	---------

H	21 mm
---	-------

H2	4.6 mm
----	--------

Z	11 mm
---	-------

Contact to Schmalz

J. Schmalz GmbH | Johannes-Schmalz-Straße, 72293 Glatten, Deutschland | +49 7443 2403-102 | customercenter@schmalz.de

Technical Data

Attribute	Value
Suction force	14.9 N
Pull-off force	23.4 N
Lateral force	13 N
Volume	5.254 cm ³
Curve radius (min) (convex)	20 mm
Internal hose diameter (recom.)	4 mm
Size	25
Nipple	SC 040
Number of folds	1.5
Suction cup material	Elastodur
Material hardness	65 °Sh
Weight	2.9 g
Product family	SPB1

Accessories



SC 040 G1/8-AG

Part no. 10.01.06.02490

Connection element for suction cup SchmalzConnector

Connection geometry: 040

Vacuum connection: G1/8-M

Overall length: 20.2 mm

Fitting length: 6 mm

Nominal diameter dn: 4.1 mm

Contact to Schmalz

**SC 040 G1/8-IG**

Part no. 10.01.06.02482

Connection element for suction cup SchmalzConnector

Connection geometry: 040

Vacuum connection: G1/8-F

Overall length: 20.7 mm

Fitting length: 14 mm

Nominal diameter dn: 4.1 mm

**SIEB 11x1 MS-A2 280 0.28/0.16**

Part no. 10.07.01.00309

Screen

External diameter D: 11 mm

Length L: 1 mm

Material: Brass / Stainless steel

Filter pore size: 280 µm

Mesh: 0.28 mm

Wire size: 0.16 mm

**SPI 22 PA**

Part no. 10.01.06.03315

Insert disc for preventing film from being drawn in

Size: 22

Material: Polyamide

Application: SPB1 25