

# Bellows suction cup (round)

<https://www.schmalz.com/10.01.06.03493>



## SPB1 20 ED-65 G1/8-IG

Part no.: 10.01.06.03493

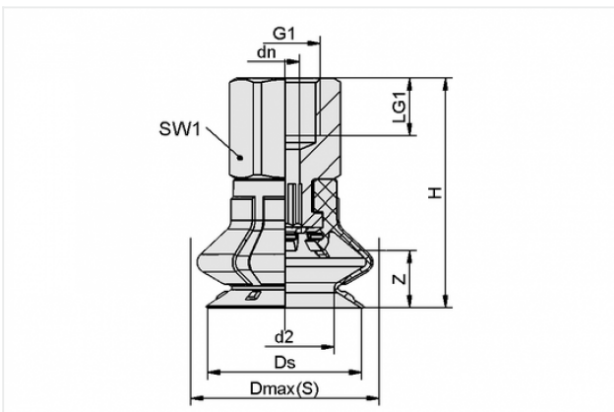
Homepage > Vacuum Technology for Automation > Vacuum Components > Vacuum Suction Cups > Suction Cups for Packaging > Bellows Suction Cups SPB1 (1.5 Folds) > SPB1 20 ED-65 G1/8-IG

### Bellows suction cup (round) for very uneven workpieces



Size: 20  
Suction cup material: Elastodur  
Material hardness: 65 °Sh  
Thread G1: G1/8-F  
Number of folds: 1.5

### Design Data



Attribute	Value
d2	13.8 mm
dn	4.1 mm
Dmax(S)	26.3 mm
Ds	21.4 mm
G1	G1/8"-F
H	32 mm
LG1	8 mm
SW1	14 mm
Z	8 mm

### Contact to Schmalz

J. Schmalz GmbH | Johannes-Schmalz-Straße, 72293 Glatten, Deutschland | +49 7443 2403-102 | [customercenter@schmalz.de](mailto:customercenter@schmalz.de)

## Technical Data

Attribute	Value
Suction force	9.9 N
Pull-off force	16.2 N
Lateral force	9.8 N
Volume	3.105 cm <sup>3</sup>
Curve radius (min) (convex)	20 mm
Internal hose diameter (recom.)	4 mm
Size	20
Number of folds	1.5
Suction cup material	Elastodur
Material hardness	65 °Sh
Weight	7.4 g
Product family	SPB1

## Spare Parts



### SC 040 G1/8-IG

Part no. 10.01.06.02482

Connection element for suction cup SchmalzConnector

Connection geometry: 040

Vacuum connection: G1/8-F

Overall length: 20.7 mm

Fitting length: 14 mm

Nominal diameter dn: 4.1 mm

## Contact to Schmalz

**SPB1 20 ED-65 SC040**

Part no. 10.01.06.02452

Bellows suction cup (round) with 1.5 corr. for dynamic handling of cardboard and rigid packaging

Size: 20

Suction cup material: Elastodur

Material hardness: 65 °Sh

Number of folds: 1.5

**Accessories****SIEB 11x1 MS-A2 280 0.28/0.16**

Part no. 10.07.01.00309

Screen

External diameter D: 11 mm

Length L: 1 mm

Material: Brass / Stainless steel

Filter pore size: 280 µm

Mesh: 0.28 mm

Wire size: 0.16 mm

**SPI 18 PA**

Part no. 10.01.06.03385

Insert disc for preventing film from being drawn in

Size: 18

Material: Polyamide

Application: SPB1 20