

# Schmalz Pad Insert

## SPI 18 PA

Part no.: 10.01.06.03385

<https://www.schmalz.com/10.01.06.03385>



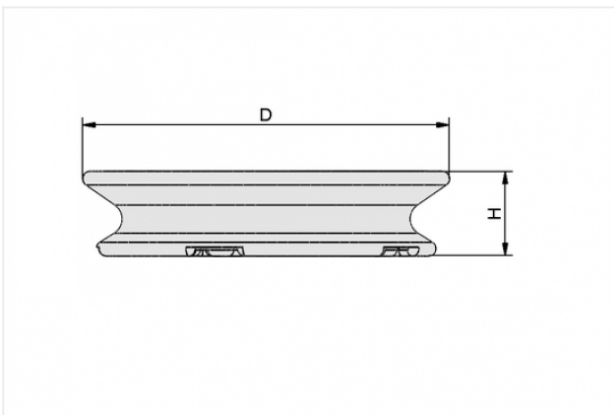
Homepage > Vacuum Technology for Automation > Vacuum Components > Vacuum Suction Cups > Accessories Vacuum Suction Cups > Suction Cup Inserts SPI (for SPB1) > SPI 18 PA

### Insert disc for preventing film from being drawn in



Size: 18  
Material: Polyamide  
Application: SPB1 20

### Design Data



Attribute	Value
D	17.4 mm
H	4.1 mm

### Technical Data

Attribute	Value
Application	SPB1 20
Material	Polyamide

### Contact to Schmalz

J. Schmalz GmbH | Johannes-Schmalz-Straße, 72293 Glatten, Deutschland | +49 7443 2403-102 | [customercenter@schmalz.de](mailto:customercenter@schmalz.de)



Attribute	Value
Weight	0.5 g

---

---