

Bellows suction cup (round)

<https://www.schmalz.com/10.01.06.03491>



SPB1 15 ED-65 G1/8-IG

Part no.: 10.01.06.03491

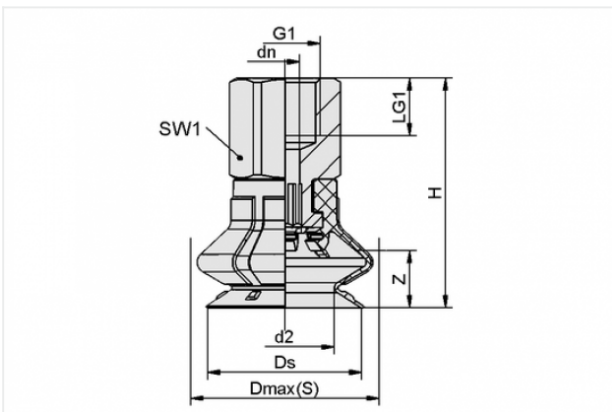
Homepage > Vacuum Technology for Automation > Vacuum Components > Vacuum Suction Cups > Suction Cups for Packaging > Bellows Suction Cups SPB1 (1.5 Folds) > SPB1 15 ED-65 G1/8-IG

Bellows suction cup (round) for very uneven workpieces



Size: 15
Suction cup material: Elastodur
Material hardness: 65 °Sh
Thread G1: G1/8-F
Number of folds: 1.5

Design Data



Attribute	Value
-----------	-------

d2	9.5 mm
dn	4.1 mm
Dmax(S)	19.7 mm
Ds	15.4 mm
G1	G1/8"-F
H	29 mm
LG1	8 mm
SW1	14 mm
Z	6 mm

Contact to Schmalz

J. Schmalz GmbH | Johannes-Schmalz-Straße, 72293 Glatten, Deutschland | +49 7443 2403-102 | customercenter@schmalz.de

Technical Data

Attribute	Value
Suction force	4.3 N
Pull-off force	9 N
Lateral force	5 N
Volume	1.498 cm ³
Curve radius (min) (convex)	7.5 mm
Internal hose diameter (recom.)	4 mm
Size	15
Number of folds	1.5
Suction cup material	Elastodur
Material hardness	65 °Sh
Weight	6.6 g
Product family	SPB1

Spare Parts



SC 040 G1/8-IG

Part no. 10.01.06.02482

Connection element for suction cup SchmalzConnector

Connection geometry: 040

Vacuum connection: G1/8-F

Overall length: 20.7 mm

Fitting length: 14 mm

Nominal diameter dn: 4.1 mm



SPB1 15 ED-65 SC040

Part no. 10.01.06.02783

Bellows suction cup (round) with 1.5 corr. for dynamic handling of cardboard and rigid packaging

Size: 15

Suction cup material: Elastodur

Material hardness: 65 °Sh

Number of folds: 1.5

Accessories



SPI 12 PA

Part no. 10.01.06.03709

Insert disc for preventing film from being drawn in

Size: 12

Material: Polyamide

Application: SPB1 15