

Bellows suction cup (round)

<https://www.schmalz.com/10.01.06.02783>



SPB1 15 ED-65 SC040

Part no.: 10.01.06.02783

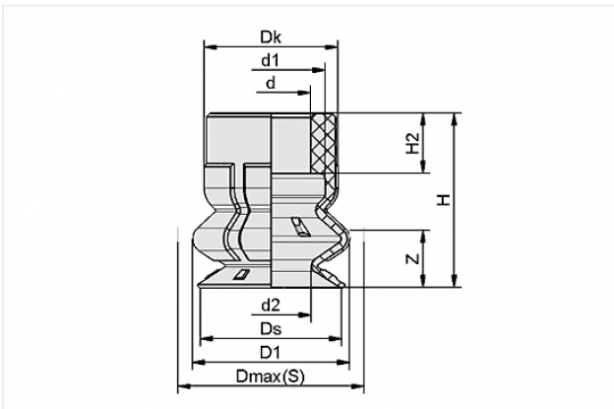
Homepage > Vacuum Technology for Automation > Vacuum Components > Vacuum Suction Cups > Suction Cups for Packaging > SPB1 15 ED-65 SC040

Bellows suction cup (round) with 1.5 corr. for dynamic handling of cardboard and rigid packaging



Size: 15
Suction cup material: Elastodur
Material hardness: 65 °Sh
Number of folds: 1.5

Design Data



Attribute	Value
-----------	-------

d	7.5 mm
---	--------

d1	10.5 mm
----	---------

d2	9.5 mm
----	--------

D1	18.4 mm
----	---------

Dk	15.1 mm
----	---------

Dmax(S)	19.7 mm
---------	---------

Ds	15.4 mm
----	---------

H	15 mm
---	-------

H2	4.6 mm
----	--------

Z	6 mm
---	------

Contact to Schmalz

J. Schmalz GmbH | Johannes-Schmalz-Straße, 72293 Glatten, Deutschland | +49 7443 2403-102 | customercenter@schmalz.de

Technical Data

Attribute	Value
Suction force	4.3 N
Pull-off force	9 N
Lateral force	5 N
Volume	1.498 cm ³
Curve radius (min) (convex)	8 mm
Internal hose diameter (recom.)	4 mm
Size	15
Nipple	SC 040
Number of folds	1.5
Suction cup material	Elastodur
Material hardness	65 °Sh
Weight	1.3 g
Product family	SPB1

Accessories



SC 040 G1/8-AG

Part no. 10.01.06.02490

Connection element for suction cup SchmalzConnector

Connection geometry: 040

Vacuum connection: G1/8-M

Overall length: 20.2 mm

Fitting length: 6 mm

Nominal diameter dn: 4.1 mm

Contact to Schmalz



SC 040 G1/8-IG

Part no. 10.01.06.02482

Connection element for suction cup SchmalzConnector

Connection geometry: 040

Vacuum connection: G1/8-F

Overall length: 20.7 mm

Fitting length: 14 mm

Nominal diameter dn: 4.1 mm