

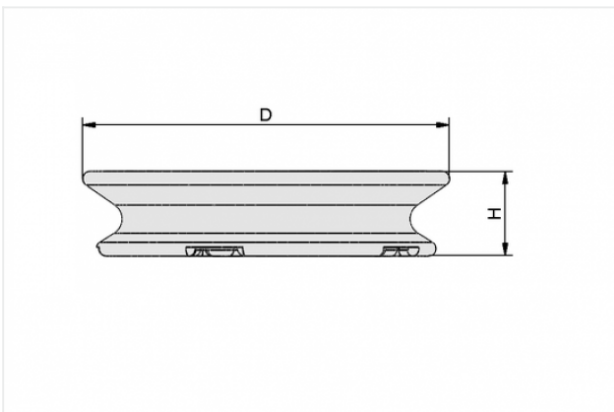
Homepage > Vacuum Technology for Automation > Vacuum Components > Vacuum Suction Cups > Accessories Vacuum Suction Cups > Suction Cup Inserts SPI (for SPB1) > SPI 12 PA

Insert disc for preventing film from being drawn in



Size: 12
Material: Polyamide
Application: SPB1 15

Design Data



Attribute	Value
H	3.3 mm

Technical Data

Attribute	Value
Application	SPB1 15
Material	Polyamide

Contact to Schmalz

Attribute	Value
Weight	0.2 g
