

Bellows suction cup (round)

SPB1 15 ED-65 G1/8-AG

Part no.:10.01.06.03490

<https://www.schmalz.com/10.01.06.03490>

Homepage > Vacuum Technology for Automation > Vacuum Components > Area Gripping Systems and End Effectors > Vacuum End Effectors

VEE > Suction Cups for Vacuum End Effectors > SPB1 15 ED-65 G1/8-AG

Bellows suction cup (round) for very uneven workpieces



Size: 15

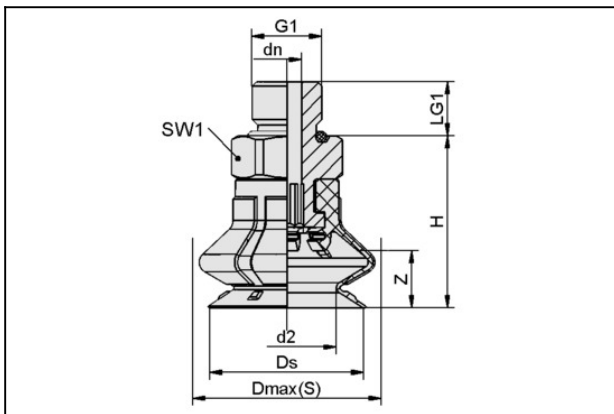
Suction cup material: Elastodur

Material hardness: 65 °Sh

Thread G1: G1/8"-M

Number of folds: 1.5

Design Data



Attribute	Value
d2	9.5 mm
dn	4.1 mm
Dmax(S)	19.7 mm
Ds	15.4 mm
G1	G1/8"-M
H	21 mm
LG1	7.5 mm
SW1	14 mm
Z (Stroke)	6 mm

Technical Data

Contact to Schmalz

J. Schmalz GmbH | Johannes-Schmalz-Straße, 72293 Glatten, Deutschland | +49 7443 2403-102 | customercenter@schmalz.de

Bellows suction cup (round)

SPB1 15 ED-65 G1/8-AG

Part no.:10.01.06.03490

<https://www.schmalz.com/10.01.06.03490>



Attribute	Value
Suction force	4.3 N
Pull-off force	9 N
Lateral force	5 N
Volume	1.498 cm ³
Curve radius (min) (convex)	7.5 mm
Hose diameter (empf.) d	4 mm
Size	15
Number of folds	1.5
Suction cup material	Elastodur
Material hardness [Shore A]	65
Weight	5.5 g
Product family	SPB1

Spare Parts



SC 040 G1/8-AG

Part no.10.01.06.02490

Connection element for suction cup "SchmalzConnector"

Connection geometry: 040

Vacuum connection: G1/8"-M

Overall length: 20.2 mm

Fitting length: 6 mm

Nominal diameter dn: 4.1 mm

Bellows suction cup (round)

SPB1 15 ED-65 G1/8-AG

Part no.:10.01.06.03490

<https://www.schmalz.com/10.01.06.03490>



SPB1 15 ED-65 SC040

Part no.10.01.06.02783

Bellows suction cup (round) with 1.5 corr. for dynamic handling of cardboard and rigid packaging

Size: 15

Suction cup material: Elastodur

Material hardness: 65 °Sh

Number of folds: 1.5

Accessories



SPI 12 PA SPB1-15

Part no.10.01.06.03709

Suction cup insert for preventing deformation of sensitive workpieces

Size: 12

Material: Polyamide

Application: SPB1-15