

# Bellows suction cup (round)

<https://www.schmalz.com/10.01.06.03490>



## SPB1 15 ED-65 G1/8-AG

Part no.: 10.01.06.03490

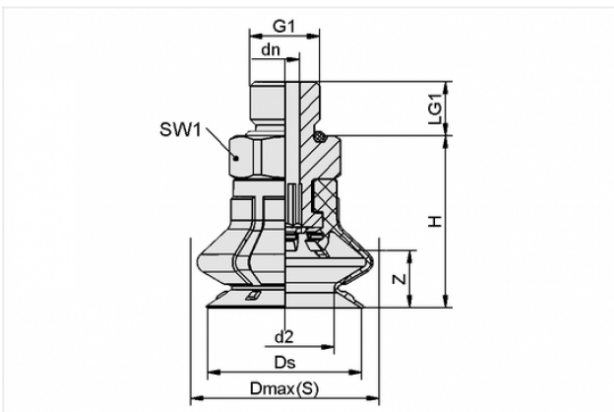
Homepage > Vacuum Technology for Automation > Vacuum Components > Vacuum Suction Cups > Suction Cups for Packaging > Bellows Suction Cups SPB1 (1.5 Folds) > SPB1 15 ED-65 G1/8-AG

### Bellows suction cup (round) for very uneven workpieces



Size: 15  
Suction cup material: Elastodur  
Material hardness: 65 °Sh  
Thread G1: G1/8-M  
Number of folds: 1.5

### Design Data



Attribute	Value
d2	9.5 mm
dn	4.1 mm
Dmax(S)	19.7 mm
Ds	15.4 mm
G1	G1/8"-M
H	21 mm
LG1	7.5 mm
SW1	14 mm
Z	6 mm

### Contact to Schmalz

J. Schmalz GmbH | Johannes-Schmalz-Straße, 72293 Glatten, Deutschland | +49 7443 2403-102 | [customercenter@schmalz.de](mailto:customercenter@schmalz.de)

## Technical Data

Attribute	Value
Suction force	4.3 N
Pull-off force	9 N
Lateral force	5 N
Volume	1.498 cm <sup>3</sup>
Curve radius (min) (convex)	7.5 mm
Internal hose diameter (recom.)	4 mm
Size	15
Number of folds	1.5
Suction cup material	Elastodur
Material hardness	65 °Sh
Weight	5.5 g
Product family	SPB1

## Spare Parts



### SC 040 G1/8-AG

Part no. 10.01.06.02490

Connection element for suction cup SchmalzConnector

Connection geometry: 040

Vacuum connection: G1/8-M

Overall length: 20.2 mm

Fitting length: 6 mm

Nominal diameter dn: 4.1 mm

## Contact to Schmalz



**SPB1 15 ED-65 SC040**

Part no. 10.01.06.02783

Bellows suction cup (round) with 1.5 corr. for dynamic handling of cardboard and rigid packaging

Size: 15

Suction cup material: Elastodur

Material hardness: 65 °Sh

Number of folds: 1.5

**Accessories**



**SPI 12 PA**

Part no. 10.01.06.03709

Insert disc for preventing film from being drawn in

Size: 12

Material: Polyamide

Application: SPB1 15