

Bellows suction cup (round)

<https://www.schmalz.com/10.01.06.02782>



SPB1 10 ED-65 SC030

Part no.: 10.01.06.02782

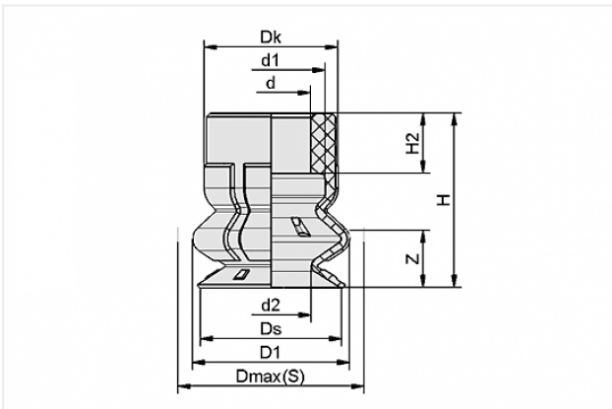
Homepage > Vacuum Technology for Automation > Vacuum Components > Vacuum Suction Cups > Suction Cups for Packaging > SPB1 10 ED-65 SC030

Bellows suction cup (round) with 1.5 corr. for dynamic handling of cardboard and rigid packaging



Size: 10
Suction cup material: Elastodur
Material hardness: 65 °Sh
Number of folds: 1.5

Design Data



Attribute	Value
-----------	-------

d	5.5 mm
---	--------

d1	7.5 mm
----	--------

d2	5.6 mm
----	--------

D1	11 mm
----	-------

Dk	9.4 mm
----	--------

Dmax(S)	11.3 mm
---------	---------

Ds	9.8 mm
----	--------

H	12.1 mm
---	---------

H2	4.2 mm
----	--------

Z	4 mm
---	------

Contact to Schmalz

J. Schmalz GmbH | Johannes-Schmalz-Straße, 72293 Glatten, Deutschland | +49 7443 2403-102 | customercenter@schmalz.de

Technical Data

Attribute	Value
Suction force	1.5 N
Pull-off force	4 N
Lateral force	2 N
Volume	0.454 cm ³
Curve radius (min) (convex)	5 mm
Internal hose diameter (recom.)	4 mm
Size	10
Nipple	SC 030
Number of folds	1.5
Suction cup material	Elastodur
Material hardness	65 °Sh
Weight	0.4 g
Product family	SPB1

Accessories



SC 030 M5-AG

Part no. 10.01.06.02802

Connection element for suction cup SchmalzConnector

Connection geometry: 030

Vacuum connection: M5-M

Overall length: 15.5 mm

Fitting length: 5 mm

Nominal diameter dn: 1.8 mm