

Schmalz Pad Insert

<https://www.schmalz.com/10.01.06.03710>



SPI 8 PA

Part no.: 10.01.06.03710

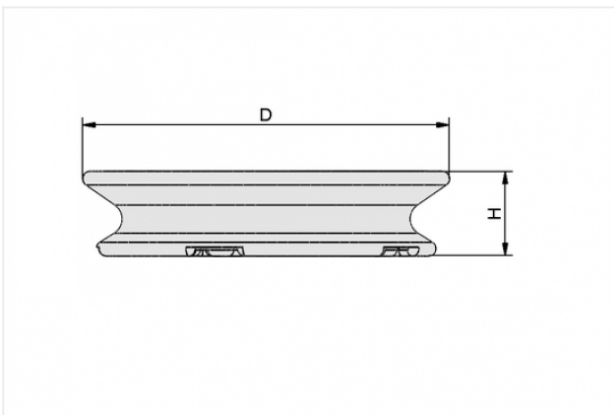
Homepage > Vacuum Technology for Automation > Vacuum Components > Vacuum Suction Cups > Accessories Vacuum Suction Cups > Suction Cup Inserts SPI (for SPB1) > SPI 8 PA

Insert disc for preventing film from being drawn in



Size: 8
Material: Polyamide
Application: SPB1 10

Design Data



Attribute	Value
H	2.7 mm

Technical Data

Attribute	Value
Application	SPB1 10
Material	Polyamide

Contact to Schmalz

J. Schmalz GmbH | Johannes-Schmalz-Straße, 72293 Glatten, Deutschland | +49 7443 2403-102 | customercenter@schmalz.de

Attribute	Value
Weight	0.1 g
