

Bellows suction cup (round)

<https://www.schmalz.com/10.01.06.03489>



SPB1 10 ED-65 M5-AG

Part no.: 10.01.06.03489

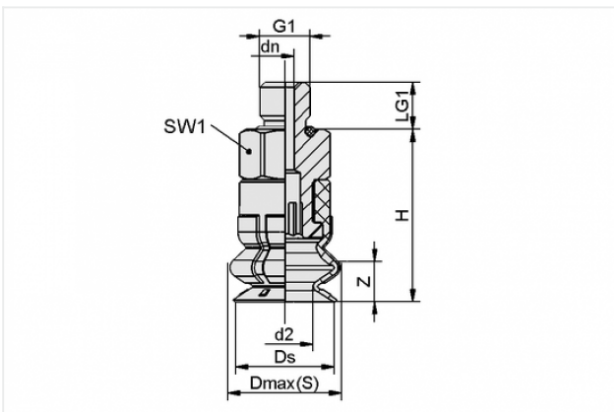
Homepage > Vacuum Technology for Automation > Vacuum Components > Vacuum Suction Cups > Suction Cups for Packaging > Bellows Suction Cups SPB1 (1.5 Folds) > SPB1 10 ED-65 M5-AG

Bellows suction cup (round) for very uneven workpieces



Size: 10
Suction cup material: Elastodur
Material hardness: 65 °Sh
Thread G1: M5-M
Number of folds: 1.5

Design Data



Attribute	Value
d2	5.6 mm
dn	1.8 mm
Dmax(S)	11.3 mm
Ds	9.8 mm
G1	M5-M
H	17.1 mm
LG1	4.7 mm
SW1	8 mm
Z	4 mm

Contact to Schmalz

J. Schmalz GmbH | Johannes-Schmalz-Straße, 72293 Glatten, Deutschland | +49 7443 2403-102 | customercenter@schmalz.de

Technical Data

Attribute	Value
Suction force	1.5 N
Pull-off force	4 N
Lateral force	2 N
Volume	0.454 cm ³
Curve radius (min) (convex)	5 mm
Internal hose diameter (recom.)	4 mm
Size	10
Number of folds	1.5
Suction cup material	Elastodur
Material hardness	65 °Sh
Weight	1.6 g
Product family	SPB1

Spare Parts



SC 030 M5-AG

Part no. 10.01.06.02802

Connection element for suction cup SchmalzConnector

Connection geometry: 030

Vacuum connection: M5-M

Overall length: 15.5 mm

Fitting length: 5 mm

Nominal diameter dn: 1.8 mm

Contact to Schmalz



SPB1 10 ED-65 SC030

Part no. 10.01.06.02782

Bellows suction cup (round) with 1.5 corr. for dynamic handling of cardboard and rigid packaging

Size: 10

Suction cup material: Elastodur

Material hardness: 65 °Sh

Number of folds: 1.5

Accessories



SPI 8 PA

Part no. 10.01.06.03710

Insert disc for preventing film from being drawn in

Size: 8

Material: Polyamide

Application: SPB1 10