

# Flat suction cup (round)

<https://www.schmalz.com/10.01.01.13251>



## SPF 60 ED-65 G1/4-IG

Part no.: 10.01.01.13251

Homepage > Vacuum Technology for Automation > Vacuum Components > Vacuum Suction Cups > Suction Cups for Packaging > Flat Suction

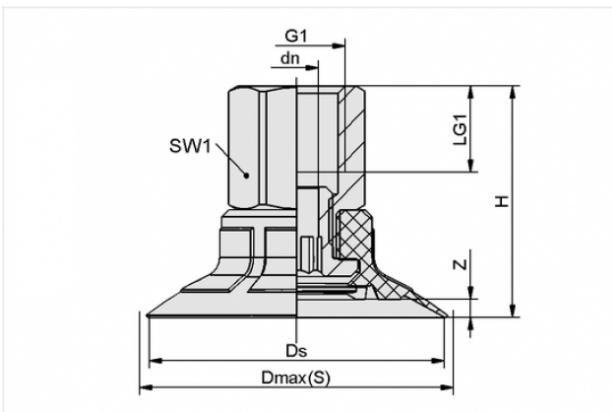
Cups SPF > SPF 60 ED-65 G1/4-IG

## Flat suction cup (round) for dynamic handling of cardboard and rigid packaging



Size: 60  
Suction cup material: Elastodur  
Material hardness: 65 °Sh  
Thread G1: G1/4-F

### Design Data



Attribute	Value
-----------	-------

dn	6.1 mm
----	--------

Dmax(S)	65 mm
---------	-------

Ds	61.2 mm
----	---------

G1	G1/4"-F
----	---------

H	35.3 mm
---	---------

LG1	12 mm
-----	-------

SW1	17 mm
-----	-------

Z	5.1 mm
---	--------

### Technical Data

#### Contact to Schmalz

J. Schmalz GmbH | Johannes-Schmalz-Straße, 72293 Glatten, Deutschland | +49 7443 2403-102 | [customercenter@schmalz.de](mailto:customercenter@schmalz.de)

Attribute	Value
Suction force	107 N
Pull-off force	135 N
Lateral force	65 N
Volume	12.669 cm <sup>3</sup>
Curve radius (min) (convex)	70 mm
Internal hose diameter (recom.)	6 mm
Size	60
Number of folds	0
Suction cup material	Elastodur
Material hardness	65 °Sh
Weight	23.7 g
Product family	SPF

**Note:**

- Suction force: The specified suction forces are theoretical values at a vacuum of -0.6 bar and with a smooth, dry workpiece surface - they do not include a safety factor
- Hose diameter: The recommended hose diameter refers to a hose length of approx. 2 m

**Spare Parts**



**SC 050 G1/4-IG**

Part no. 10.01.06.02488

Connection element for suction cup SchmalzConnector

Connection geometry: 050

Vacuum connection: G1/4-F

Overall length: 26.5 mm

Fitting length: 17.2 mm

Nominal diameter dn: 6.1 mm



**SPF 60 ED-65 SC050**

Part no. 10.01.01.12896

Flat suction cup (round) for dynamic handling of cardboard and rigid packaging

Size: 60

Suction cup material: Elastodur

Material hardness: 65 °Sh

**Accessories**



**SIEB 17.5x0.8 MS-A2 280 0.28/0.16**

Part no. 10.07.01.00308

Screen

External diameter D: 17.5 mm

Length L: 0.8 mm

Material: Brass / Stainless steel

Filter pore size: 280 µm

Mesh: 0.28 mm

Wire size: 0.16 mm



**SU 60**

Part no. 10.01.01.13585

Cover for suction cup

Size: 60

Temperature resistance: 80 °C