

Flat suction cup (round)

SPF 60 ED-65 SC050

Part no.: 10.01.01.12896

<https://www.schmalz.com/10.01.01.12896>



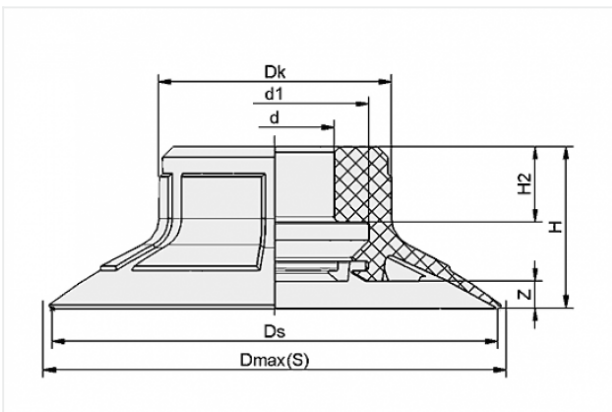
Homepage > Vacuum Technology for Automation > Vacuum Components > Vacuum Suction Cups > Suction Cups for Packaging > SPF 60 ED-65 SC050

Flat suction cup (round) for dynamic handling of cardboard and rigid packaging



Size: 60
Suction cup material: Elastodur
Material hardness: 65 °Sh

Design Data



Attribute	Value
-----------	-------

d	10.5 mm
---	---------

d1	17.5 mm
----	---------

Dk	22.1 mm
----	---------

Dmax(S)	65 mm
---------	-------

Ds	61.2 mm
----	---------

H	18.1 mm
---	---------

H2	7.5 mm
----	--------

Z	5.1 mm
---	--------

Technical Data

Contact to Schmalz

J. Schmalz GmbH | Johannes-Schmalz-Straße, 72293 Glatten, Deutschland | +49 7443 2403-102 | customercenter@schmalz.de

Attribute	Value
Suction force	107 N
Pull-off force	135 N
Lateral force	65 N
Volume	12.669 cm ³
Curve radius (min) (convex)	70 mm
Internal hose diameter (recom.)	6 mm
Size	60
Nipple	SC 050
Number of folds	0
Suction cup material	Elastodur
Material hardness	65 °Sh
Weight	9 g
Product family	SPF
