

Flat suction cup (round)

SPF 40 ED-65 SC050

Part no.: 10.01.01.12373

<https://www.schmalz.com/10.01.01.12373>



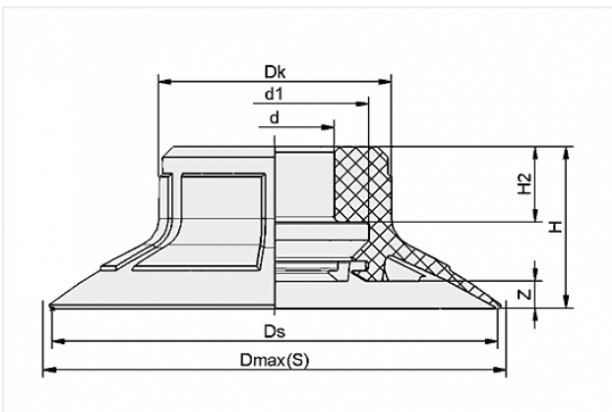
Homepage > Vacuum Technology for Automation > Vacuum Components > Vacuum Suction Cups > Suction Cups for Packaging > SPF 40 ED-65 SC050

Flat suction cup (round) for dynamic handling of cardboard and rigid packaging



Size: 40
Suction cup material: Elastodur
Material hardness: 65 °Sh

Design Data



Attribute	Value
-----------	-------

d	11 mm
---	-------

d1	17.5 mm
----	---------

Dk	21.6 mm
----	---------

Dmax(S)	43.7 mm
---------	---------

Ds	41.4 mm
----	---------

H	15 mm
---	-------

H2	7 mm
----	------

Z	2.5 mm
---	--------

Technical Data

Contact to Schmalz

J. Schmalz GmbH | Johannes-Schmalz-Straße, 72293 Glatten, Deutschland | +49 7443 2403-102 | customercenter@schmalz.de

Attribute	Value
Suction force	49.5 N
Pull-off force	62.5 N
Lateral force	25 N
Volume	5.091 cm ³
Curve radius (min) (convex)	70 mm
Internal hose diameter (recom.)	6 mm
Size	40
Nipple	SC 050
Number of folds	0
Suction cup material	Elastodur
Material hardness	65 °Sh
Weight	4.4 g
Product family	SPF
