

# Flat suction cup (round)

<https://www.schmalz.com/10.01.01.13246>



## SPF 40 ED-65 G1/4-AG

Part no.: 10.01.01.13246

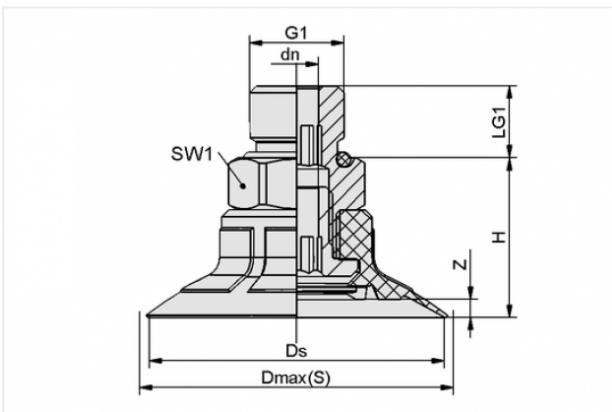
Homepage > Vacuum Technology for Automation > Vacuum Components > Vacuum Suction Cups > Suction Cups for Packaging > Flat Suction  
Cups SPF > SPF 40 ED-65 G1/4-AG

## Flat suction cup (round) for dynamic handling of cardboard and rigid packaging



Size: 40  
Suction cup material: Elastodur  
Material hardness: 65 °Sh  
Thread G1: G1/4-M

### Design Data



Attribute	Value
-----------	-------

dn	6.1 mm
Dmax(S)	43.7 mm
Ds	41.4 mm
G1	G1/4"-M
H	22.2 mm
LG1	10 mm
SW1	17 mm
Z	2.5 mm

### Technical Data

#### Contact to Schmalz

J. Schmalz GmbH | Johannes-Schmalz-Straße, 72293 Glatten, Deutschland | +49 7443 2403-102 |  
customercenter@schmalz.de

Attribute	Value
Suction force	49.5 N
Pull-off force	62.5 N
Lateral force	25 N
Volume	5.091 cm <sup>3</sup>
Curve radius (min) (convex)	70 mm
Internal hose diameter (recom.)	6 mm
Size	40
Number of folds	0
Suction cup material	Elastodur
Material hardness	65 °Sh
Weight	18.8 g
Product family	SPF

**Note:**

- Suction force: The specified suction forces are theoretical values at a vacuum of -0.6 bar and with a smooth, dry workpiece surface - they do not include a safety factor
- Hose diameter: The recommended hose diameter refers to a hose length of approx. 2 m

**Spare Parts**



**SC 050 G1/4-AG**

Part no. 10.01.06.02487

Connection element for suction cup SchmalzConnector

Connection geometry: 050

Vacuum connection: G1/4-M

Overall length: 26.5 mm

Fitting length: 7.2 mm

Nominal diameter dn: 6.1 mm

**SPF 40 ED-65 SC050**

Part no. 10.01.01.12373

Flat suction cup (round) for dynamic handling of cardboard and rigid packaging

Size: 40

Suction cup material: Elastodur

Material hardness: 65 °Sh

**Accessories****SIEB 17.5x0.8 MS-A2 280 0.28/0.16**

Part no. 10.07.01.00308

Screen

External diameter D: 17.5 mm

Length L: 0.8 mm

Material: Brass / Stainless steel

Filter pore size: 280 µm

Mesh: 0.28 mm

Wire size: 0.16 mm

**SU 40**

Part no. 10.01.01.12856

Cover for suction cup

Size: 40

Clamping range: 35.0 ... 45.0 mm

Temperature resistance: 80 °C