

# Flat suction cup (round)

<https://www.schmalz.com/10.01.01.13245>



## SPF 30 ED-65 G1/8-IG

Part no.: 10.01.01.13245

Homepage > Vacuum Technology for Automation > Vacuum Components > Vacuum Suction Cups > Suction Cups for Packaging > Flat Suction

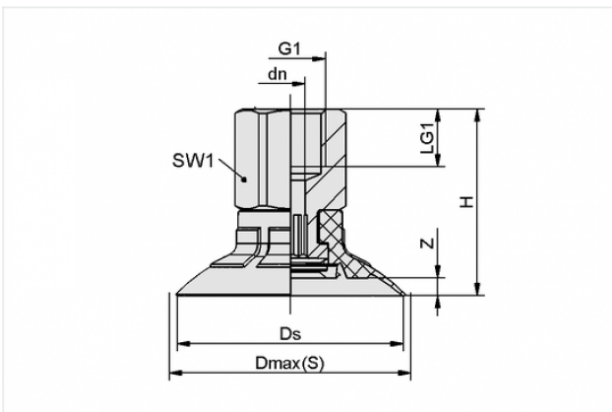
Cups SPF > SPF 30 ED-65 G1/8-IG

## Flat suction cup (round) for dynamic handling of cardboard and rigid packaging



Size: 30  
Suction cup material: Elastodur  
Material hardness: 65 °Sh  
Thread G1: G1/8-F

### Design Data



Attribute	Value
-----------	-------

dn	4.1 mm
Dmax(S)	33.6 mm
Ds	31.4 mm
G1	G1/8"-F
H	26 mm
LG1	8 mm
SW1	14 mm
Z	2.5 mm

### Technical Data

#### Contact to Schmalz

J. Schmalz GmbH | Johannes-Schmalz-Straße, 72293 Glatten, Deutschland | +49 7443 2403-102 | [customercenter@schmalz.de](mailto:customercenter@schmalz.de)

Attribute	Value
Suction force	29.5 N
Pull-off force	35.3 N
Lateral force	22.5 N
Volume	2.531 cm <sup>3</sup>
Curve radius (min) (convex)	35 mm
Internal hose diameter (recom.)	6 mm
Size	30
Number of folds	0
Suction cup material	Elastodur
Material hardness	65 °Sh
Weight	7.8 g
Product family	SPF

**Note:**

- Suction force: The specified suction forces are theoretical values at a vacuum of -0.6 bar and with a smooth, dry workpiece surface - they do not include a safety factor
- Hose diameter: The recommended hose diameter refers to a hose length of approx. 2 m

**Spare Parts**



**SC 040 G1/8-IG**

Part no. 10.01.06.02482

Connection element for suction cup SchmalzConnector

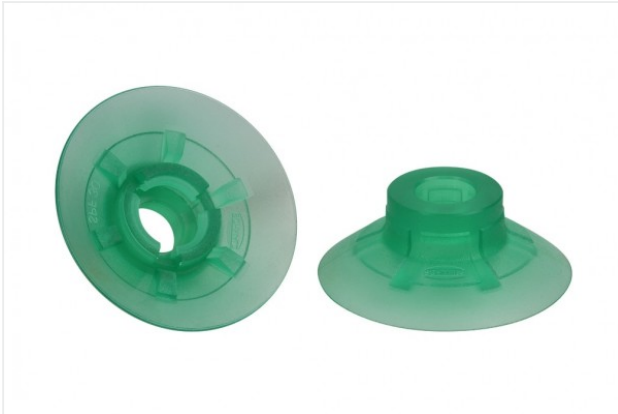
Connection geometry: 040

Vacuum connection: G1/8-F

Overall length: 20.7 mm

Fitting length: 14 mm

Nominal diameter dn: 4.1 mm

**SPF 30 ED-65 SC040**

Part no. 10.01.01.12372

Flat suction cup (round) for dynamic handling of cardboard and rigid packaging

Size: 30

Suction cup material: Elastodur

Material hardness: 65 °Sh

**Accessories****SIEB 11x1 MS-A2 280 0.28/0.16**

Part no. 10.07.01.00309

Screen

External diameter D: 11 mm

Length L: 1 mm

Material: Brass / Stainless steel

Filter pore size: 280 µm

Mesh: 0.28 mm

Wire size: 0.16 mm

**SU 30**

Part no. 10.01.01.12889

Cover for suction cup

Size: 30

Clamping range: 27.0 ... 35.0 mm

Temperature resistance: 80 °C