

Flat suction cup (round)

SPF 30 ED-65 SC040

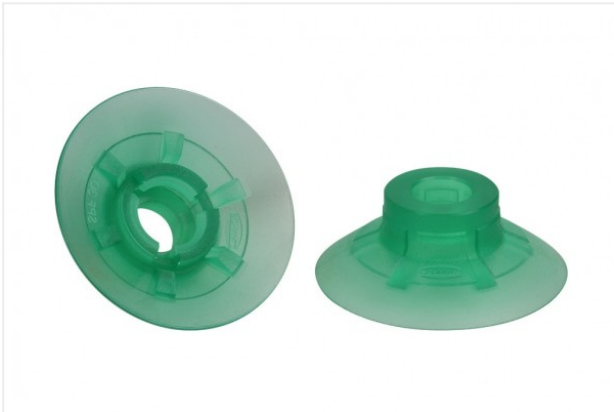
Part no.: 10.01.01.12372

<https://www.schmalz.com/10.01.01.12372>



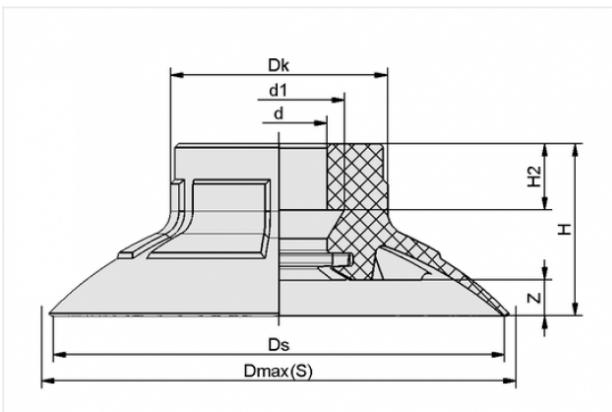
Homepage > Vacuum Technology for Automation > Vacuum Components > Vacuum Suction Cups > Suction Cups for Packaging > SPF 30 ED-65 SC040

Flat suction cup (round) for dynamic handling of cardboard and rigid packaging



Size: 30
Suction cup material: Elastodur
Material hardness: 65 °Sh

Design Data



Attribute	Value
-----------	-------

d	7.5 mm
---	--------

d1	10.5 mm
----	---------

Dk	15.1 mm
----	---------

Dmax(S)	33.6 mm
---------	---------

Ds	31.4 mm
----	---------

H	12 mm
---	-------

H2	4.6 mm
----	--------

Z	2.5 mm
---	--------

Technical Data

Contact to Schmalz

J. Schmalz GmbH | Johannes-Schmalz-Straße, 72293 Glatten, Deutschland | +49 7443 2403-102 | customercenter@schmalz.de

Attribute	Value
Suction force	29.5 N
Pull-off force	35.3 N
Lateral force	22.5 N
Volume	2.531 cm ³
Curve radius (min) (convex)	35 mm
Internal hose diameter (recom.)	6 mm
Size	30
Nipple	SC 040
Number of folds	0
Suction cup material	Elastodur
Material hardness	65 °Sh
Weight	2.3 g
Product family	SPF
