

Flat suction cup (round)

<https://www.schmalz.com/10.01.01.12371>



SPF 25 ED-65 SC040

Part no.: 10.01.01.12371

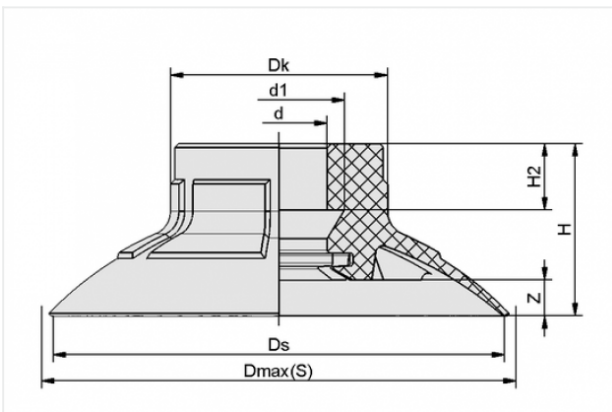
Homepage > Vacuum Technology for Automation > Vacuum Components > Vacuum Suction Cups > Suction Cups for Packaging > SPF 25 ED-65 SC040

Flat suction cup (round) for dynamic handling of cardboard and rigid packaging



Size: 25
Suction cup material: Elastodur
Material hardness: 65 °Sh

Design Data



Attribute	Value
-----------	-------

d	7.5 mm
---	--------

d1	10.5 mm
----	---------

Dk	15.1 mm
----	---------

Dmax(S)	28 mm
---------	-------

Ds	26.4 mm
----	---------

H	11 mm
---	-------

H2	4.6 mm
----	--------

Z	2 mm
---	------

Technical Data

Contact to Schmalz

J. Schmalz GmbH | Johannes-Schmalz-Straße, 72293 Glatten, Deutschland | +49 7443 2403-102 | customercenter@schmalz.de

Attribute	Value
Suction force	22.7 N
Pull-off force	27.1 N
Lateral force	17 N
Volume	1.7 cm ³
Curve radius (min) (convex)	30 mm
Internal hose diameter (recom.)	4 mm
Size	25
Nipple	SC 040
Number of folds	0
Suction cup material	Elastodur
Material hardness	65 °Sh
Weight	1.6 g
Product family	SPF
