

# Flat suction cup (round)

<https://www.schmalz.com/10.01.01.13242>



## SPF 25 ED-65 G1/8-AG

Part no.: 10.01.01.13242

Homepage > Vacuum Technology for Automation > Vacuum Components > Vacuum Suction Cups > Suction Cups for Packaging > Flat Suction

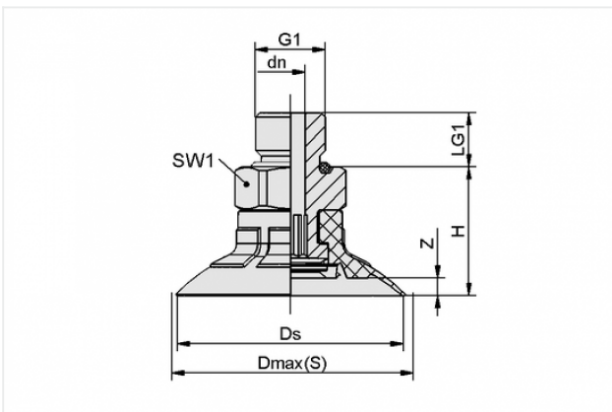
Cups SPF > SPF 25 ED-65 G1/8-AG

## Flat suction cup (round) for dynamic handling of cardboard and rigid packaging



Size: 25  
Suction cup material: Elastodur  
Material hardness: 65 °Sh  
Thread G1: G1/8-M

### Design Data



Attribute	Value
-----------	-------

dn	4.1 mm
----	--------

Dmax(S)	28 mm
---------	-------

Ds	26.4 mm
----	---------

G1	G1/8"-M
----	---------

H	17 mm
---	-------

LG1	7.5 mm
-----	--------

SW1	14 mm
-----	-------

Z	2 mm
---	------

### Technical Data

#### Contact to Schmalz

J. Schmalz GmbH | Johannes-Schmalz-Straße, 72293 Glatten, Deutschland | +49 7443 2403-102 | [customercenter@schmalz.de](mailto:customercenter@schmalz.de)

Attribute	Value
Suction force	22.7 N
Pull-off force	27.1 N
Lateral force	17 N
Volume	1.7 cm <sup>3</sup>
Curve radius (min) (convex)	30 mm
Internal hose diameter (recom.)	4 mm
Size	25
Number of folds	0
Suction cup material	Elastodur
Material hardness	65 °Sh
Weight	7.1 g
Product family	SPF

**Note:**

- Suction force: The specified suction forces are theoretical values at a vacuum of -0.6 bar and with a smooth, dry workpiece surface - they do not include a safety factor
- Hose diameter: The recommended hose diameter refers to a hose length of approx. 2 m

**Spare Parts**



**SC 040 G1/8-AG**

Part no. 10.01.06.02490

Connection element for suction cup SchmalzConnector

Connection geometry: 040

Vacuum connection: G1/8-M

Overall length: 20.2 mm

Fitting length: 6 mm

Nominal diameter dn: 4.1 mm



**SPF 25 ED-65 SC040**

Part no. 10.01.01.12371

Flat suction cup (round) for dynamic handling of cardboard and rigid packaging

Size: 25

Suction cup material: Elastodur

Material hardness: 65 °Sh

**Accessories**



**SIEB 11x1 MS-A2 280 0.28/0.16**

Part no. 10.07.01.00309

Screen

External diameter D: 11 mm

Length L: 1 mm

Material: Brass / Stainless steel

Filter pore size: 280 µm

Mesh: 0.28 mm

Wire size: 0.16 mm



**SU 25**

Part no. 10.01.01.13584

Cover for suction cup

Size: 25

Temperature resistance: 80 °C