

# Flat suction cup (round)

<https://www.schmalz.com/10.01.01.12370>



SPF 20 ED-65 SC040

Part no.: 10.01.01.12370

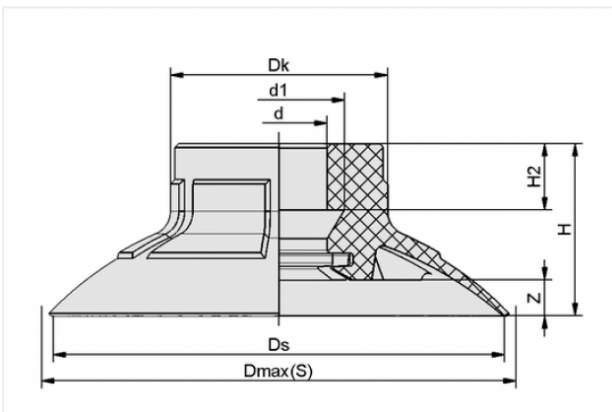
Homepage > Vacuum Technology for Automation > Vacuum Components > Vacuum Suction Cups > Suction Cups for Packaging > SPF 20 ED-65 SC040

## Flat suction cup (round) for dynamic handling of cardboard and rigid packaging



Size: 20  
Suction cup material: Elastodur  
Material hardness: 65 °Sh

### Design Data



Attribute	Value
-----------	-------

d	7.5 mm
---	--------

d1	10.5 mm
----	---------

Dk	15.1 mm
----	---------

Dmax(S)	23.3 mm
---------	---------

Ds	21.4 mm
----	---------

H	11 mm
---	-------

H2	4.6 mm
----	--------

Z	2 mm
---	------

### Technical Data

#### Contact to Schmalz

J. Schmalz GmbH | Johannes-Schmalz-Straße, 72293 Glatten, Deutschland | +49 7443 2403-102 | [customercenter@schmalz.de](mailto:customercenter@schmalz.de)

<b>Attribute</b>	<b>Value</b>
Suction force	16 N
Pull-off force	19.2 N
Lateral force	10.5 N
Volume	1.131 cm <sup>3</sup>
Curve radius (min) (convex)	20 mm
Internal hose diameter (recom.)	4 mm
Size	20
Nipple	SC 040
Number of folds	0
Suction cup material	Elastodur
Material hardness	65 °Sh
Weight	1.4 g
Product family	SPF

---

---