

Flat suction cup (round)

<https://www.schmalz.com/10.01.01.13240>



SPF 20 ED-65 G1/8-AG

Part no.: 10.01.01.13240

Homepage > Vacuum Technology for Automation > Vacuum Components > Vacuum Suction Cups > Suction Cups for Packaging > Flat Suction

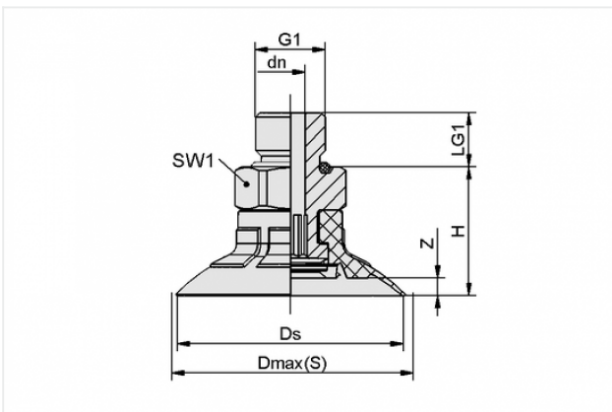
Cups SPF > SPF 20 ED-65 G1/8-AG

Flat suction cup (round) for dynamic handling of cardboard and rigid packaging



Size: 20
Suction cup material: Elastodur
Material hardness: 65 °Sh
Thread G1: G1/8-M

Design Data



| Attribute | Value |
|-----------|-------|
|-----------|-------|

| | |
|---------|---------|
| dn | 4.1 mm |
| Dmax(S) | 23.3 mm |
| Ds | 21.4 mm |
| G1 | G1/8"-M |
| H | 17 mm |
| LG1 | 7.5 mm |
| SW1 | 14 mm |
| Z | 2 mm |

Technical Data

Contact to Schmalz

J. Schmalz GmbH | Johannes-Schmalz-Straße, 72293 Glatten, Deutschland | +49 7443 2403-102 | customercenter@schmalz.de

| Attribute | Value |
|---------------------------------|-----------------------|
| Suction force | 16 N |
| Pull-off force | 19.2 N |
| Lateral force | 10.5 N |
| Volume | 1.131 cm ³ |
| Curve radius (min) (convex) | 20 mm |
| Internal hose diameter (recom.) | 4 mm |
| Size | 20 |
| Number of folds | 0 |
| Suction cup material | Elastodur |
| Material hardness | 65 °Sh |
| Weight | 6.9 g |
| Product family | SPF |

Note:

- Suction force: The specified suction forces are theoretical values at a vacuum of -0.6 bar and with a smooth, dry workpiece surface - they do not include a safety factor
- Hose diameter: The recommended hose diameter refers to a hose length of approx. 2 m

Spare Parts



SC 040 G1/8-AG

Part no. 10.01.06.02490

Connection element for suction cup SchmalzConnector

Connection geometry: 040

Vacuum connection: G1/8-M

Overall length: 20.2 mm

Fitting length: 6 mm

Nominal diameter dn: 4.1 mm



SPF 20 ED-65 SC040

Part no. 10.01.01.12370

Flat suction cup (round) for dynamic handling of cardboard and rigid packaging

Size: 20

Suction cup material: Elastodur

Material hardness: 65 °Sh

Accessories



SIEB 11x1 MS-A2 280 0.28/0.16

Part no. 10.07.01.00309

Screen

External diameter D: 11 mm

Length L: 1 mm

Material: Brass / Stainless steel

Filter pore size: 280 µm

Mesh: 0.28 mm

Wire size: 0.16 mm