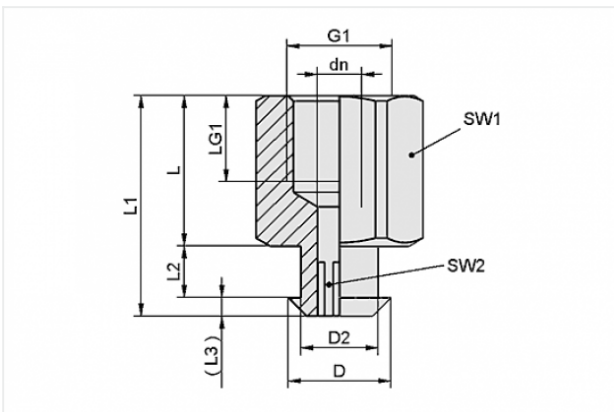


Connection element for suction cup SchmalzConnector



Connection geometry: 040
 Vacuum connection: G1/8-F
 Overall length: 20.7 mm
 Fitting length: 14 mm
 Nominal diameter dn: 4.1 mm

Design Data



| Attribute | Value |
|-----------|---------|
| dn | 4.1 mm |
| D | 10.3 mm |
| D2 | 8 mm |
| G1 | G1/8"-F |
| L | 14 mm |
| L1 | 20.7 mm |
| L2 | 4.8 mm |
| L3 | 1.9 mm |
| LG1 | 8 mm |
| SW1 | 14 mm |
| SW2 | 4 mm |

Technical Data

| Attribute | Value |
|---------------------|-----------|
| Connection geometry | 040 |
| Material | Aluminium |
| Weight | 5.3 g |
