

Schmalz Connector

SC 040 G1/8-AG

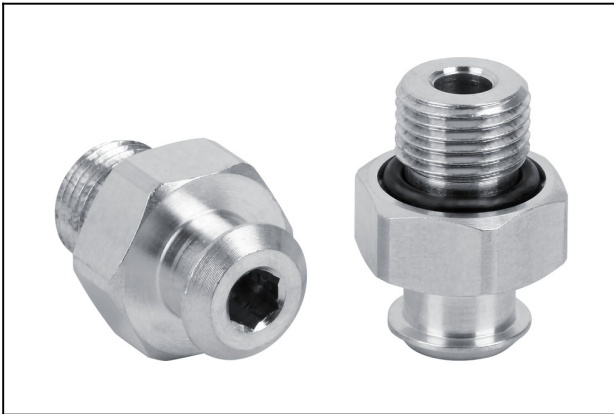
Part no.:10.01.06.02490

<https://www.schmalz.com/10.01.06.02490>



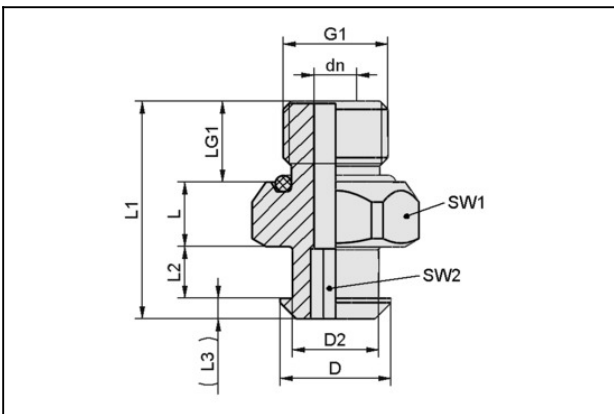
Homepage > Vacuum Technology for Automation > Vacuum Components > Vacuum Suction Cups > Suction Cups for Packaging > SC 040 G1/8-AG

Connection element for suction cup "SchmalzConnector"



Connection geometry: 040
Vacuum connection: G1/8"-M
Overall length: 20.2 mm
Fitting length: 6 mm
Nominal diameter dn: 4.1 mm

Design Data



Attribute	Value
dn	4.1 mm
D	10.3 mm
D2	8 mm
G1	G1/8"-M
L	6 mm
L1	20.2 mm
L2	4.8 mm
L3	1.9 mm
LG1	7.5 mm
SW1	14 mm
SW2	4 mm

Contact to Schmalz

J. Schmalz GmbH | Johannes-Schmalz-Straße, 72293 Glatten, Deutschland | +49 7443 2403-102 | customercenter@schmalz.de

Schmalz Connector

SC 040 G1/8-AG

Part no.:10.01.06.02490

<https://www.schmalz.com/10.01.06.02490>



Technical Data

Attribute	Value
Connection geometry	040
Material	Aluminum
Weight	4.3 g

Contact to Schmalz

J. Schmalz GmbH | Johannes-Schmalz-Straße, 72293 Glatten, Deutschland | +49 7443 2403-102 | customercenter@schmalz.de