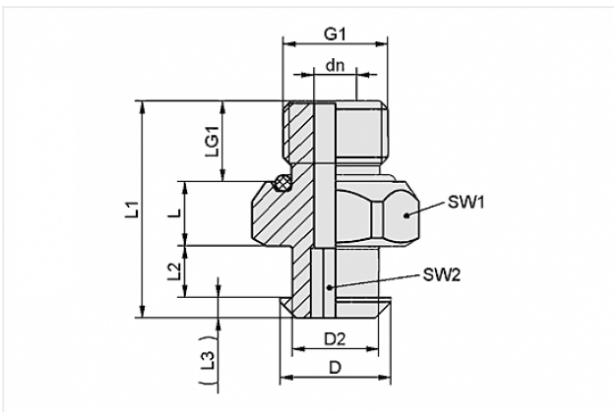


Connection element for suction cup SchmalzConnector



Connection geometry: 040
Vacuum connection: G1/8-M
Overall length: 20.2 mm
Fitting length: 6 mm
Nominal diameter dn: 4.1 mm

Design Data



Attribute	Value
dn	4.1 mm
D	10.3 mm
D2	8 mm
G1	G1/8"-M
L	6 mm
L1	20.2 mm
L2	4.8 mm
L3	1.9 mm
LG1	7.5 mm
SW1	14 mm
SW2	4 mm

Technical Data

Attribute	Value
Connection geometry	040
Material	Aluminium
Weight	4.3 g
