

# Flat suction cup (round)

<https://www.schmalz.com/10.01.01.13238>



## SPF 15 ED-65 G1/8-AG

Part no.: 10.01.01.13238

Homepage > Vacuum Technology for Automation > Vacuum Components > Vacuum Suction Cups > Suction Cups for Packaging > Flat Suction

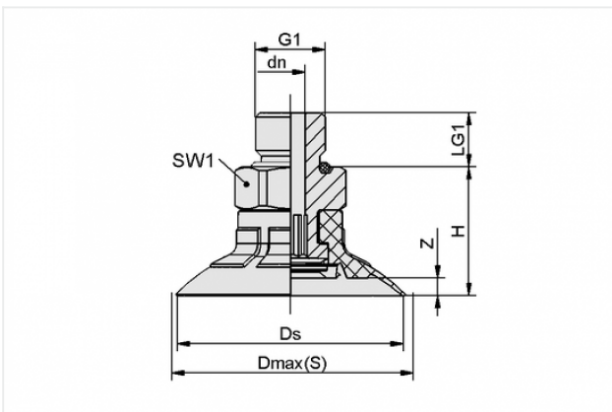
Cups SPF > SPF 15 ED-65 G1/8-AG

## Flat suction cup (round) for dynamic handling of cardboard and rigid packaging



Size: 15  
Suction cup material: Elastodur  
Material hardness: 65 °Sh  
Thread G1: G1/8-M

### Design Data



Attribute	Value
-----------	-------

dn	4.1 mm
Dmax(S)	18.5 mm
Ds	16.4 mm
G1	G1/8"-M
H	16 mm
LG1	7.5 mm
SW1	14 mm
Z	1.5 mm

### Technical Data

#### Contact to Schmalz

J. Schmalz GmbH | Johannes-Schmalz-Straße, 72293 Glatten, Deutschland | +49 7443 2403-102 | [customercenter@schmalz.de](mailto:customercenter@schmalz.de)

Attribute	Value
Suction force	9.8 N
Pull-off force	11 N
Lateral force	7.9 N
Volume	0.758 cm <sup>3</sup>
Curve radius (min) (convex)	13 mm
Internal hose diameter (recom.)	4 mm
Size	15
Number of folds	0
Suction cup material	Elastodur
Material hardness	65 °Sh
Weight	5.9 g
Product family	SPF

**Note:**

- Suction force: The specified suction forces are theoretical values at a vacuum of -0.6 bar and with a smooth, dry workpiece surface - they do not include a safety factor
- Hose diameter: The recommended hose diameter refers to a hose length of approx. 2 m

**Spare Parts**



**SC 040 G1/8-AG**

Part no. 10.01.06.02490

Connection element for suction cup SchmalzConnector

Connection geometry: 040

Vacuum connection: G1/8-M

Overall length: 20.2 mm

Fitting length: 6 mm

Nominal diameter dn: 4.1 mm



**SPF 15 ED-65 SC040**

Part no. 10.01.01.12895

Flat suction cup (round) for dynamic handling of cardboard and rigid packaging

Size: 15

Suction cup material: Elastodur

Material hardness: 65 °Sh