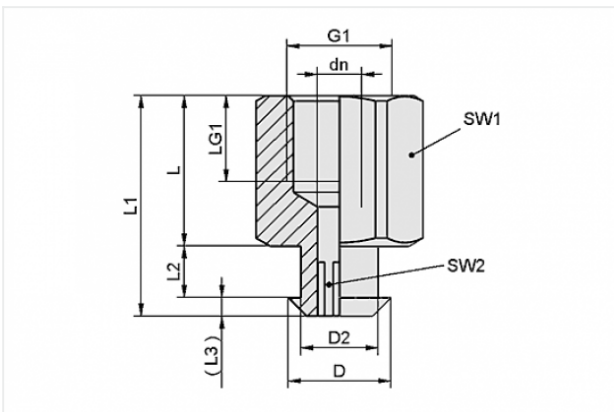


## Connection element for suction cup SchmalzConnector



Connection geometry: 030  
 Vacuum connection: M5-F  
 Overall length: 15.8 mm  
 Fitting length: 10 mm  
 Nominal diameter dn: 3.1 mm

### Design Data



Attribute	Value
dn	3.1 mm
D	7.2 mm
D2	5.8 mm
G1	M5-F
L	10 mm
L1	15.8 mm
L2	4.3 mm
L3	1.5 mm
LG1	5.5 mm
SW1	8 mm
SW2	3 mm

## Technical Data

Attribute	Value
Connection geometry	030
Weight	1.4 g

---

---