

Flat suction cup (round)

SPF 10 ED-65 M5-IG

Part no.: 10.01.01.13254

<https://www.schmalz.com/10.01.01.13254>



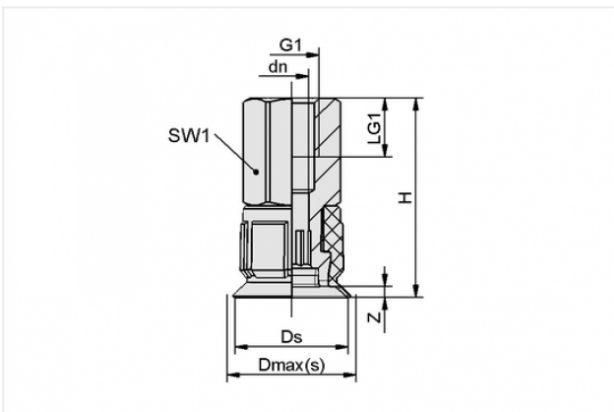
Homepage > Vacuum Technology for Automation > Vacuum Components > Vacuum Suction Cups > Suction Cups for Packaging > Flat Suction
Cups SPF > SPF 10 ED-65 M5-IG

Flat suction cup (round) for dynamic handling of cardboard and rigid packaging



Size: 10
Suction cup material: Elastodur
Material hardness: 65 °Sh
Thread G1: M5-F

Design Data



| Attribute | Value |
|-----------|-------|
|-----------|-------|

| | |
|----|--------|
| dn | 3.1 mm |
|----|--------|

| | |
|---------|-------|
| Dmax(S) | 12 mm |
|---------|-------|

| | |
|----|---------|
| Ds | 10.5 mm |
|----|---------|

| | |
|----|------|
| G1 | M5-F |
|----|------|

| | |
|---|---------|
| H | 18.5 mm |
|---|---------|

| | |
|-----|--------|
| LG1 | 5.5 mm |
|-----|--------|

| | |
|-----|------|
| SW1 | 8 mm |
|-----|------|

| | |
|---|------|
| Z | 1 mm |
|---|------|

Technical Data

Contact to Schmalz

J. Schmalz GmbH | Johannes-Schmalz-Straße, 72293 Glatten, Deutschland | +49 7443 2403-102 |
customercenter@schmalz.de

| Attribute | Value |
|---------------------------------|-----------------------|
| Suction force | 4.4 N |
| Pull-off force | 5.2 N |
| Lateral force | 3.5 N |
| Volume | 0.297 cm ³ |
| Curve radius (min) (convex) | 8 mm |
| Internal hose diameter (recom.) | 4 mm |
| Size | 10 |
| Number of folds | 0 |
| Suction cup material | Elastodur |
| Material hardness | 65 °Sh |
| Weight | 1.5 g |
| Product family | SPF |

Note:

- Suction force: The specified suction forces are theoretical values at a vacuum of -0.6 bar and with a smooth, dry workpiece surface - they do not include a safety factor
- Hose diameter: The recommended hose diameter refers to a hose length of approx. 2 m

Spare Parts



SC 030 M5-IG

Part no. 10.01.06.03440

Connection element for suction cup SchmalzConnector

Connection geometry: 030

Vacuum connection: M5-F

Overall length: 15.8 mm

Fitting length: 10 mm

Nominal diameter dn: 3.1 mm



SPF 10 ED-65 SC030

Part no. 10.01.01.12894

Flat suction cup (round) for dynamic handling of cardboard and rigid packaging

Size: 10

Suction cup material: Elastodur

Material hardness: 65 °Sh