

Flat suction cup (round)

<https://www.schmalz.com/10.01.01.12894>



SPF 10 ED-65 SC030

Part no.: 10.01.01.12894

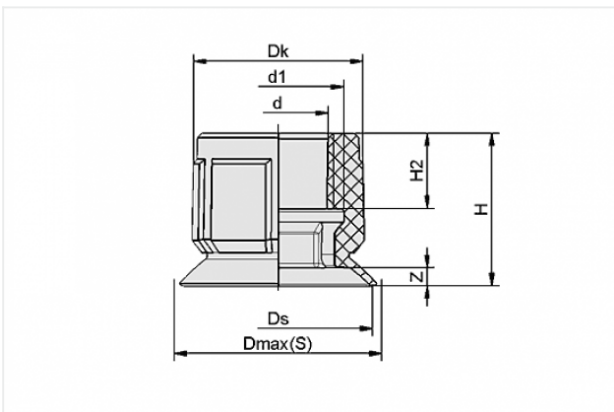
Homepage > Vacuum Technology for Automation > Vacuum Components > Vacuum Suction Cups > Suction Cups for Packaging > SPF 10 ED-65 SC030

Flat suction cup (round) for dynamic handling of cardboard and rigid packaging



Size: 10
Suction cup material: Elastodur
Material hardness: 65 °Sh

Design Data



Attribute	Value
-----------	-------

d	5.5 mm
---	--------

d1	7.2 mm
----	--------

Dk	9.6 mm
----	--------

Dmax(S)	12 mm
---------	-------

Ds	10.5 mm
----	---------

H	8.5 mm
---	--------

H2	4.2 mm
----	--------

Z	1 mm
---	------

Technical Data

Contact to Schmalz

J. Schmalz GmbH | Johannes-Schmalz-Straße, 72293 Glatten, Deutschland | +49 7443 2403-102 | customercenter@schmalz.de

Attribute	Value
Suction force	4.4 N
Pull-off force	5.2 N
Lateral force	3.5 N
Volume	0.297 cm ³
Curve radius (min) (convex)	8 mm
Internal hose diameter (recom.)	4 mm
Size	10
Nipple	SC 030
Number of folds	0
Suction cup material	Elastodur
Material hardness	65 °Sh
Weight	0.35 g
Product family	SPF
