

# Schmalz Connector

## SC 030 M5-AG

Part no.:10.01.06.02802

<https://www.schmalz.com/10.01.06.02802>



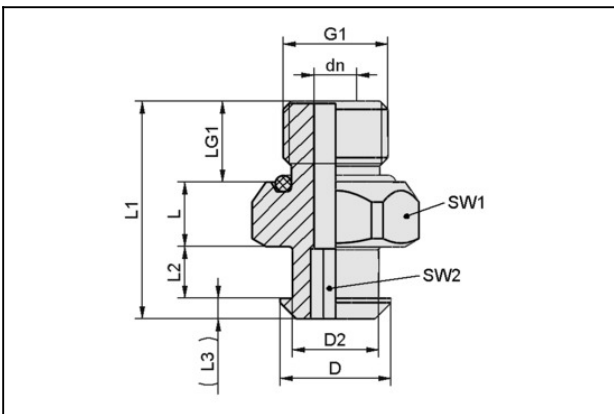
Homepage > Vacuum Technology for Automation > Vacuum Components > Vacuum Suction Cups > Suction Cups for Packaging > SC 030 M5-AG

### Connection element for suction cup "SchmalzConnector"



Connection geometry: 030  
Vacuum connection: M5-M  
Overall length: 15.5 mm  
Fitting length: 5 mm  
Nominal diameter dn: 1.8 mm

### Design Data



Attribute	Value
dn	1.8 mm
D	7.2 mm
D2	5.8 mm
G1	M5-M
L	5 mm
L1	15.5 mm
L2	4.3 mm
L3	1.5 mm
LG1	4.7 mm
SW1	8 mm
SW2	3 mm

### Contact to Schmalz

J. Schmalz GmbH | Johannes-Schmalz-Straße, 72293 Glatten, Deutschland | +49 7443 2403-102 | [customercenter@schmalz.de](mailto:customercenter@schmalz.de)

# Schmalz Connector

## SC 030 M5-AG

Part no.:10.01.06.02802

<https://www.schmalz.com/10.01.06.02802>



### Technical Data

Attribute	Value
Connection geometry	030
Material	Aluminum
Weight	1.2 g

#### Contact to Schmalz

J. Schmalz GmbH | Johannes-Schmalz-Straße, 72293 Glatten, Deutschland | +49 7443 2403-102 | [customercenter@schmalz.de](mailto:customercenter@schmalz.de)