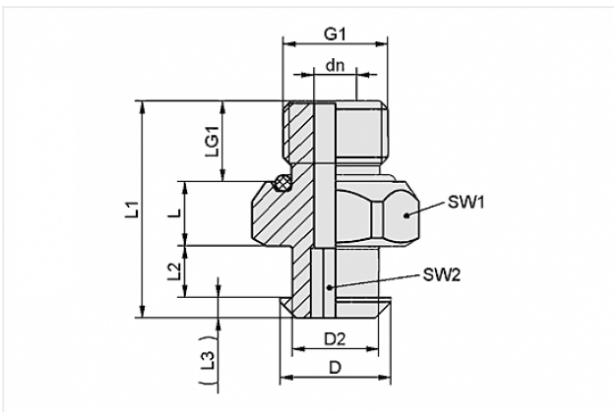


Connection element for suction cup SchmalzConnector



Connection geometry: 030
 Vacuum connection: M5-M
 Overall length: 15.5 mm
 Fitting length: 5 mm
 Nominal diameter dn: 1.8 mm

Design Data



Attribute	Value
dn	1.8 mm
D	7.2 mm
D2	5.8 mm
G1	M5-M
L	5 mm
L1	15.5 mm
L2	4.3 mm
L3	1.5 mm
LG1	4.7 mm
SW1	8 mm
SW2	3 mm

Technical Data

Attribute	Value
Connection geometry	030
Material	Aluminium
Weight	1.2 g
