

# Flat suction cup (round)

SPF 10 ED-65 M5-AG

Part no.: 10.01.01.13237

<https://www.schmalz.com/10.01.01.13237>



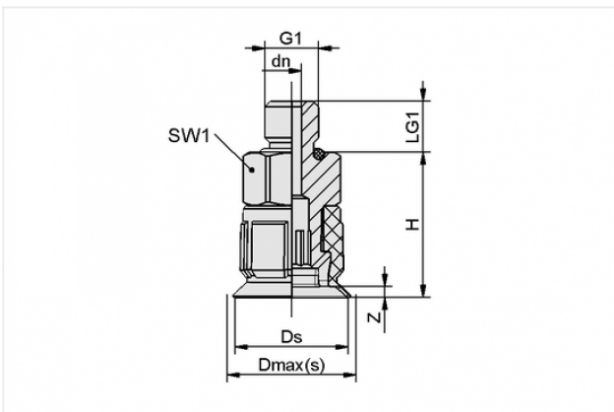
Homepage > Vacuum Technology for Automation > Vacuum Components > Vacuum Suction Cups > Suction Cups for Packaging > Flat Suction  
Cups SPF > SPF 10 ED-65 M5-AG

## Flat suction cup (round) for dynamic handling of cardboard and rigid packaging



Size: 10  
Suction cup material: Elastodur  
Material hardness: 65 °Sh  
Thread G1: M5-M

### Design Data



Attribute	Value
-----------	-------

dn	1.8 mm
----	--------

Dmax(S)	12 mm
---------	-------

Ds	10.5 mm
----	---------

G1	M5-M
----	------

H	13.5 mm
---	---------

LG1	4.7 mm
-----	--------

SW1	8 mm
-----	------

Z	1 mm
---	------

### Technical Data

#### Contact to Schmalz

J. Schmalz GmbH | Johannes-Schmalz-Straße, 72293 Glatten, Deutschland | +49 7443 2403-102 |  
customercenter@schmalz.de

Attribute	Value
Suction force	4.4 N
Pull-off force	5.2 N
Lateral force	3.5 N
Volume	0.297 cm <sup>3</sup>
Curve radius (min) (convex)	8 mm
Internal hose diameter (recom.)	4 mm
Size	10
Number of folds	0
Suction cup material	Elastodur
Material hardness	65 °Sh
Weight	1 g
Product family	SPF

**Note:**

- Suction force: The specified suction forces are theoretical values at a vacuum of -0.6 bar and with a smooth, dry workpiece surface - they do not include a safety factor
- Hose diameter: The recommended hose diameter refers to a hose length of approx. 2 m

**Spare Parts**



**SC 030 M5-AG**

Part no. 10.01.06.02802

Connection element for suction cup SchmalzConnector

Connection geometry: 030

Vacuum connection: M5-M

Overall length: 15.5 mm

Fitting length: 5 mm

Nominal diameter dn: 1.8 mm



**SPF 10 ED-65 SC030**

Part no. 10.01.01.12894

Flat suction cup (round) for dynamic handling of cardboard and rigid packaging

Size: 10

Suction cup material: Elastodur

Material hardness: 65 °Sh