

Bell suction cup (oval)

<https://www.schmalz.com/10.01.24.00044>



SAOXM 100x40 ED-85
NPT3/8-IG

Part no.: 10.01.24.00044

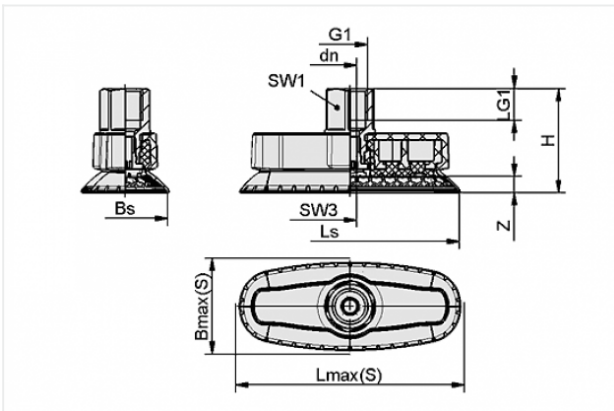
Homepage > Vacuum Technology for Automation > Vacuum Components > Vacuum Suction Cups > Suction Cups for Handling Sheet Metal > Bell-Shaped Suction Cups SAOXM (Oval) > SAOXM 100x40 ED-85 NPT3/8-IG

High-Speed bell shaped suction cup for (oval) very dynamic handling of smooth and oily workpieces



Dimensions (LxB): 100 x 40 mm
Suction cup material: Elastodur
Material hardness: 85 °Sh
Vacuum connection: NPT3/8-F
Nipple material: Brass
Additional feature: Friction Disc

Design Data



Attribute	Value
-----------	-------

Bmax(S)	51 mm
---------	-------

Bs	41.6 mm
----	---------

dn	6.1 mm
----	--------

G1	NPT3/8-F
----	----------

H	45.7 mm
---	---------

LG1	15 mm
-----	-------

Lmax(S)	109 mm
---------	--------

Ls	101.8 mm
----	----------

SW1	22 mm
-----	-------

SW3	6 mm
-----	------

Z	7.3 mm
---	--------

Contact to Schmalz

J. Schmalz GmbH | Johannes-Schmalz-Straße, 72293 Glatten, Deutschland | +49 7443 2403-102 | customercenter@schmalz.de

Technical Data

Attribute	Value
Suction force	173 N
Lateral force	135 N
Lateral force (oily surface)	156 N
Volume	24 cm ³
Curve radius (min) (convex)	32 mm
Internal hose diameter (recom.)	6 mm
Dimensions (LxB)	100 x 40 mm
Suction cup material	Elastodur
Material hardness	85 °Sh
Weight	105 g
Product family	SAOXM
