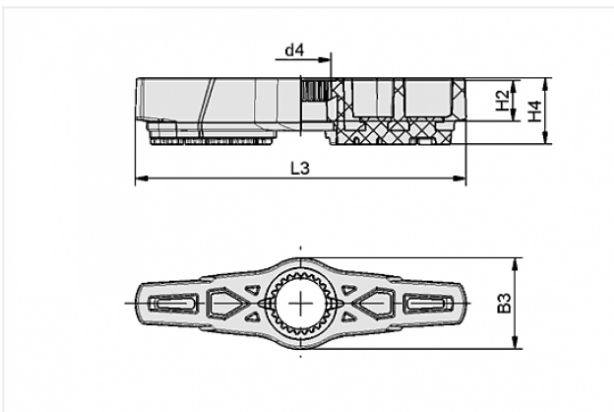


Schmalz-Connector Einleger



Size: 045
 Shape: Anti Rot / Friction Elem
 Application: SAOXM 80x30

Design Data



Attribute	Value
B3	19.1 mm
d4	12.7 mm
H2	8.5 mm
H4	13.9 mm
L3	69 mm

Technical Data

Attribute	Value
Suction cup material	Elastodur
Material hardness	60 °Sh

Contact to Schmalz



Attribute	Value
Weight	10.8 g